

Benefits

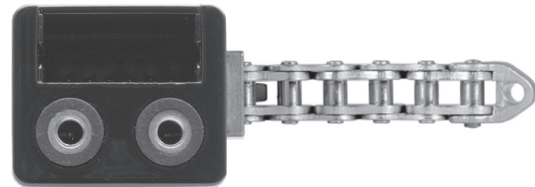
- Ideal for smart buildings; integrate with building and home automation systems.
- Certified for Smoke & Heat Extraction (SHE)

Applications

Automated operation of awning windows, hopper windows, casement windows, curtain wall vents, and skylights.

Features

- 24V DC / $\pm 15\%$
- Push/Pull force: 250N (56 lbf), 1500N Locking Force
- Perfectly suited for profile integrated and surface mounted installation; White (RAL9006) or any custom RAL
- 2.5m connection cable with interconnect plug. Connection available on both ends of the actuator
- TMS+ tandem safety function for operating 2 drives on one sash
- Available as 13.78" (350mm) chain operator
- Programmable drive functions and different drive parameters
- Active closing edge protection (time controlled reversing when an obstacle is detected)
- Mounting: Mounting brackets available for all profiles
- 5-year manufacturer's warranty. Requires reading AFI Install Guide before purchase, and confirmation of project and installation specs by licensed electrical contractor



Programmable Features

Option of chain stroke programmings via magnet.

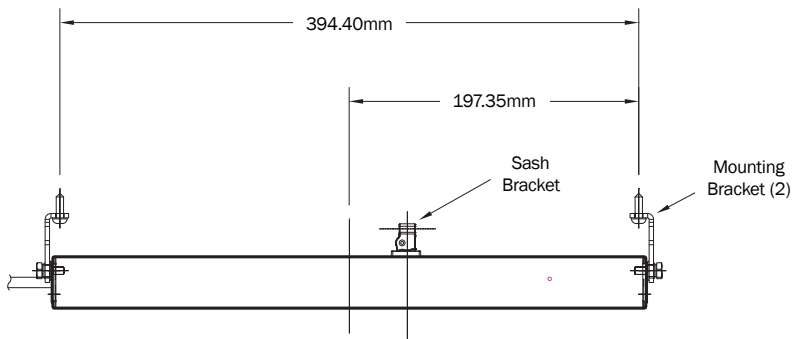
- Chain stroke** From 80mm up to 350mm
- Speed adjustment** Programmable from 9.4mm/sec down to 6.7mm/sec for quiet operation
- Speed reduction** For the last seconds of closing, as a safety precaution
- Seal relief adjustment** Between 0-20mm to protect sash at closed position
- Feedback Signal** OPEN or CLOSE can be selected

CDC 350

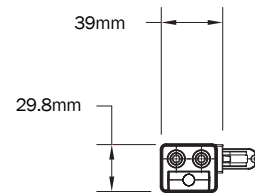
Part #	Color	Description	Stroke (and force)
26.100.05	White	Right Type	Up to 350mm (250N)
26.100.10	White	Left Type	Up to 350mm (250N)
26.100.06	White	Right Type	Up to 350mm (250N)
26.100.11	White	Left Type	Up to 350mm (250N)
26.100.00		Custom Build	

Specifications

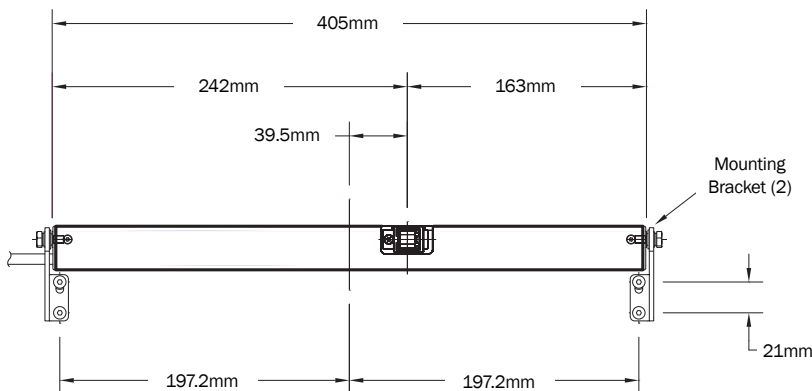
Supply Voltage	24VDC (-15% / +50%)
Nom. Current Draw	Approx 0.6A at 250N load
Limit stop	(Open): Built in limit switch (Closed) Integrated electronic power cut-off
Chain stroke (approx)	350mm (13.78")
Push force (Max)	250N (56 lbf +/- 3%)
Pull force (Max)	250N (56 lbf +/- 3%)
Chain speed	6.7mm/sec 9.4mm/sec (SHEV emergency opening)
Dimensions	405mm L x 30mm D x 39mm H (16" x 1 5/8" x 1 1/8")
Run/Rest cycle	For every 60 sec running (on), must then rest (off) for 120 sec
Ambient Oper Temp	-10 °C to +60 °C (14 °F to 140 °F)
Listing	UL Recognized
Protection class	IP32
Colors	Powder-coated White (RAL9006), custom RAL finishes available



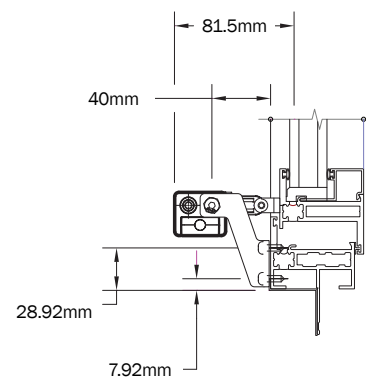
TOP VIEW



SIDE VIEW



FRONT VIEW



SAMPLE SHOWN WITH WINDOW PROFILE BY OTHERS