



UL-Approvable models available

Features and Benefits

- Supermaster is ideal for large awning windows, hoppers, curtain wall vents and skylights. Recommended for smoke evacuation applications due to feedback circuit, allowing open and/or closed status to be monitored.
- Multiple vents can be wired in parallel, and can be operated by building automation systems.
- Chain must be manually adjusted at installation (Vega and Quasar models are self-adjusting).
- Operates a 48” tall/469 lb. vent; an 82” tall/802 lb. vent; or a 176 lb. skylight assembly (with 18” chain).
- Simple installation of motor and sash connector for chain operator (see below photo).
- Aluminum case; available in silver anodized, dark bronze (black) anodized or white painted.
- Minimum sash height is 18” for 18” chain, 24” for 24” chain, and 32” for 31-1/2” chain (with pivot brackets).
- 2-year UCS manufacturer’s warranty; requires installation by a licensed electrician.
- Functional Fenestration Inc (FFI) has a wide range of motors for windows, skylights, and other vents for residential and commercial applications. FFI has been providing motorized window and skylight operators since 1987, and today is an expert and leader in the motorized ventilation market.

Specifications

	Supermaster-S AC	Supermaster AC	Supermaster DC
supply voltage	115 Vac ± 10%, 60Hz <small>(U.S. House Current Compatible)</small>	115 Vac ± 10%, 60Hz <small>(U.S. House Current Compatible)</small>	24 Vdc ± 10%
current draw	1.6 amps (at 115 Vac)	1.6 amps (at 115Vac)	2.0 amps
power cable (59”)	4 conductors (2xload, common, ground)	4 conductors (2xload, common, ground)	2 conductors (± polarity inversion)
chain stroke length	18 inches	18 and 24 inches	18, 24 and 31-1/2 inches
chain speed	0.9 inches per second	0.9 inches per second	0.78 inches per second
limit stop	microswitches	microswitches	microswitches
safety stop	thermal	thermal	electronic
status signal (voltage level)	full open OR full closed	none	full open AND full closed
safety marks	Field approvable (UL or ETL) (See www.ul.com or www.etl.com)	European CE mark	Field approvable (UL or ETL) (See www.ul.com or www.etl.com)
typical switch	SPDT momentary contact (3 leads + ground)		maintained contact
push/pull force	88 lbs; (31-1/2 inch chain has 66 lbs. push force, 88 lbs. pull force)		
environment	14 to 140 degrees F (-10 to 60 degrees C); maximum relative humidity 60%		
control options	wall switch, direct digital control, 4-station keypad, remote control, environmental sensors (rain, wind, thermostat)		



motor installs on sash, sill or wall



chain operator attached to frame

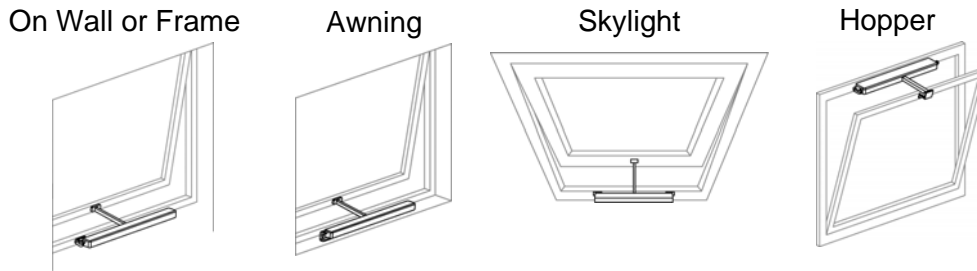


40560T Pivot Bracket



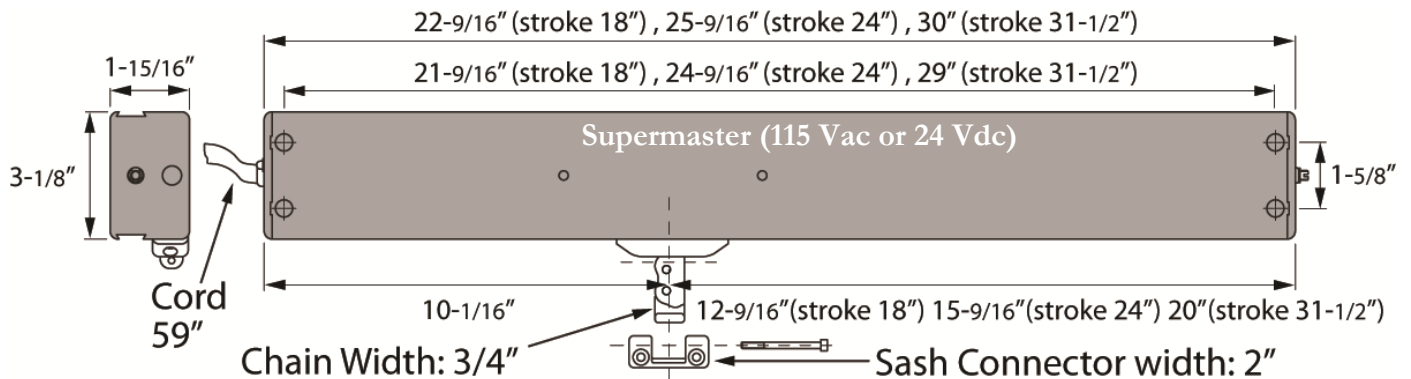
40460N Sliding Dovetail Bracket

Easy Installation

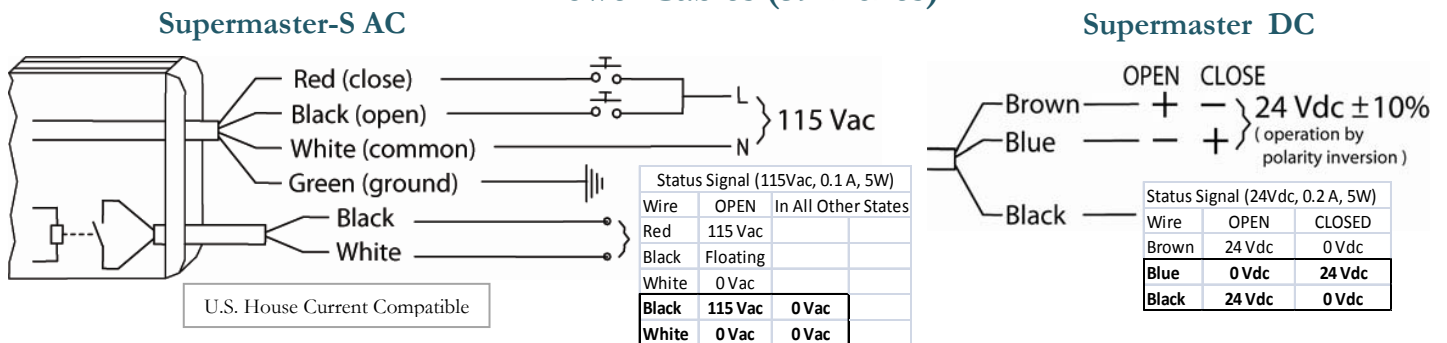


- optional brackets may be required for hopper and wall mounting.
- installation guide and CAD files available on request from FFI.

Case Dimensions



Power Cables (59 inches)



Supermaster Actuators from FFI (in stock items ship within 72 hours)

	Silver Anodized	Dark Bronze Anodized	White RAL 9010 paint
Supermaster-S AC 18" (stock item)	17140012	17140010	17140011
Supermaster AC 18"	40746G	40747H	40748I
Supermaster AC 24"	40603J	40694E	40695F
Supermaster DC 18"	40506L	40509T	40507N
Supermaster DC 24"	40461R	40467D	40468F
Supermaster DC 31-1/2"	40469H	40470S	40471U