

Momentary contact switch with key

3-Way, 20 amp
part # **1223-2KL**

Applications

- Connects to FFI AC actuators directly or through Control Panel.
- Can be used with FFI DC actuators by connecting through Control Panel or Relay Box.

Features

- Momentary Contact, 3-way, center off, commercial grade switch.
- Key-operated locking mechanism for maximum tamper-proof operation.
- Chrome lock dome with 2 keys provided.
- Back and side wire terminals accept up to #14 - #10 AWG copper or copper clad wire.
- Momentary Contact means turning the switch for a moment will activate the actuator(s) to open or closed position.
- Large, slotted terminal screws with clamp-type back-wire terminals.
- Triple-combination mounting screws for fast, easy installation.
- Heavy-gauge rust-resistant mounting strap with steel grounding screw and self-grounding clip (self-grounding when used in a properly grounded metal wall box).
- Key removable in ON or OFF positions.
- FD Box is recommended for mounting (see page 2).
- UL Listed (file #E-7458), CSA Certified (file #152105), NOM Certified (#057).
- Ten-year Leviton limited manufacturer's warranty.
- Order Wall plate 84071-40 separately.



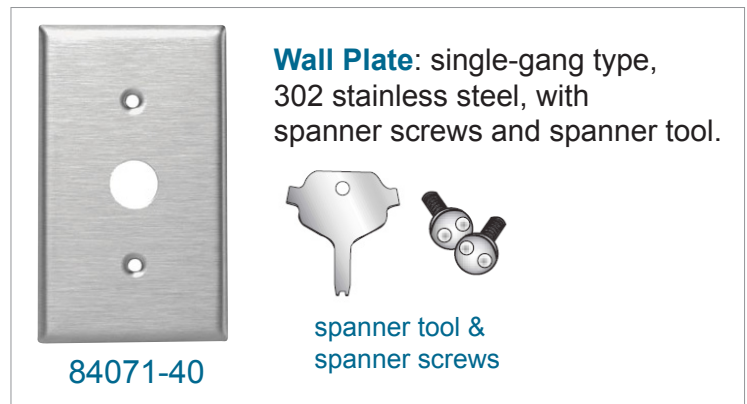
Specifications

Power Input	120 Vac
Amperage Rating	20 amps*
Safety Marks	UL Listed. NOM Certified.
Operating Environment	-40° to 65° C

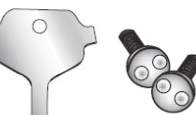
* FFI recommends: do not exceed 80% of switch maximum capacity, therefore 16 amps.

Ordering Information

1223-2KL	Switch, 3-way, with 2 keys
84071-40	Wall Plate for 1223-2KL switch



Wall Plate: single-gang type, 302 stainless steel, with spanner screws and spanner tool.

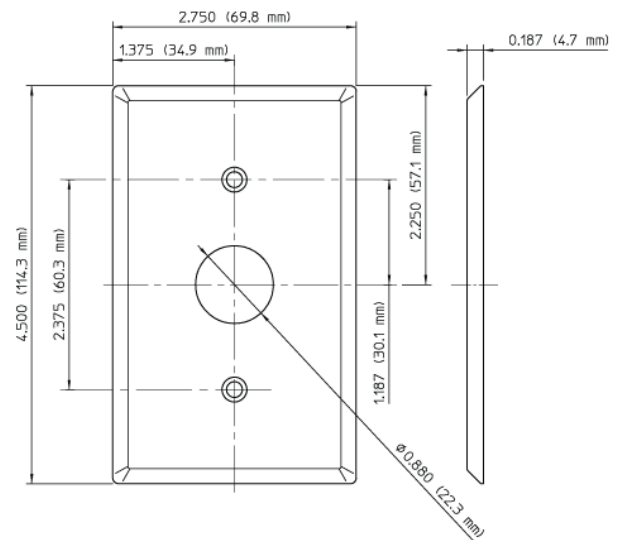
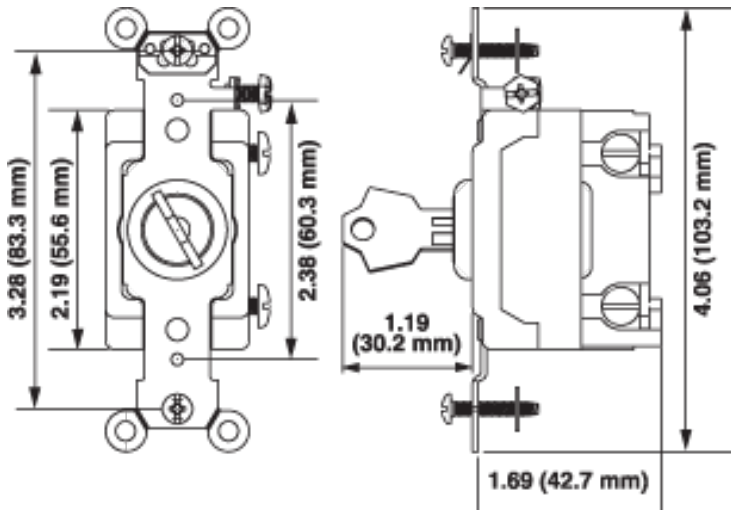


spanner tool & spanner screws

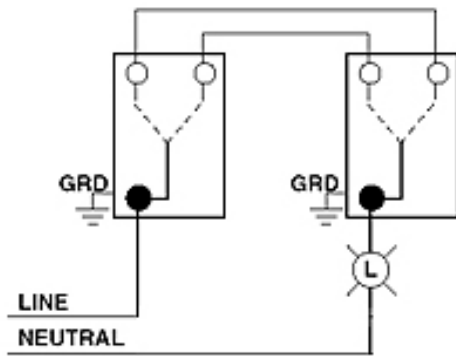
84071-40

Recommendations for FFI Actuators & Controls: FFI only recommends UL compliant systems. FFI is a UL registered firm. Read FFI data sheets & installation guides before specifying project details. Project-specific needs vary depending on the number of actuators, electrical layouts, building management systems, distance between power supplies & actuators, and other details. Project specifications to comply with electric & building codes—for wire gauge, wire connections and run distance, conduits, junction boxes—must be arranged by the project electrical contractors. Distribute this guide to all project parties, including electrical contractors, architects, and building management personnel.

Momentary contact switch with key
part # 1223-2KL



Wiring Diagram
3-Way to 3-Way



FD Box

is recommended for mounting (not included with switch or wallplate)

FD Box with minimum internal depth of 2-1/2" (63.5 mm) is recommended for mounting Key Lock Power Switch – shallow wall box extender available.

Key Lock Power Switches are not recommended for use on Master or Emergency Power Systems.

FD Box used to mount
key lock power switch with wallplate