

Features

- Vega actuators are for awning windows, casement windows, hoppers, curtain wall vents and skylights.
- Synchro Vega is for wide vents that require 2 to 4 motors, providing multiple sash connection points and synchronized operation. Available in low voltage 24VDC only.
- Multiple vents can be wired in parallel, and can be operated by building automation systems.
- 12" (300mm) chain operator; self-adjusting for proper closure at installation.
- Operator has stainless steel, double-link chain for rigidity and durability.
- Examples of 55 lbs operating force: 48" tall/440 lb. vent, 82" tall/752 lb. vent, or a 110 lb. skylight.
- Low-profile, attractive aluminum case; available in Black, White or Grey paint.
- Minimum sash height is 10".
- Synchro Vega F-Signal (DC) has opening and closing feedback signal.
- Two-year UCS manufacturer's warranty. Requires reading AFI Install Guide before purchase, and confirmation of project and installation specs by licensed electrical contractor.



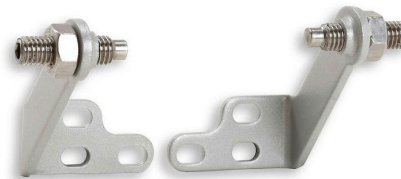
Mounting brackets available separately

Synchro Vega DC

| Part # | Color | Stroke (and force) | Feedback Signal |
|-----------------|----------------|--------------------|-----------------|
| 41151E | Grey RAL 9006 | Up to 300mm (250N) | None |
| 41152G | Black RAL 9005 | Up to 300mm (250N) | None |
| 41153J | White RAL 9010 | Up to 300mm (250N) | None |
| 41378SUL | Grey RAL 9006 | Up to 300mm (250N) | Open & Close |
| 41379TUL | Black RAL 9005 | Up to 300mm (250N) | Open & Close |
| 41380UUL | White RAL 9010 | Up to 300mm (250N) | Open & Close |

Mounting Brackets (Ordered separately)

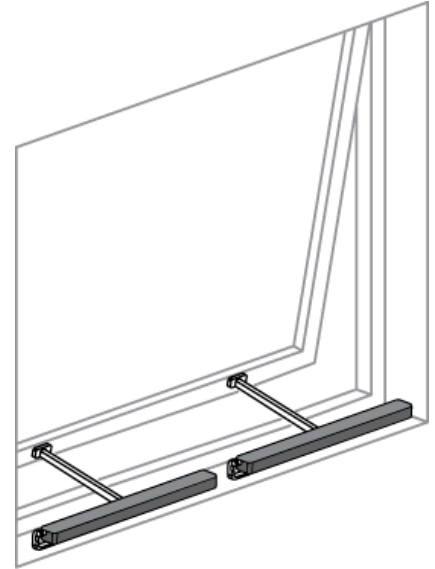
| Part # | Style | Color |
|---------------|------------|-------|
| 41898F | Long Slim | Grey |
| 41899G | | Black |
| 41900H | | White |
| 41901I | Short Slim | Grey |
| 41902J | | Black |
| 41903K | | White |
| 40843F | Die-cast | Grey |
| 40844G | | Black |
| 40845H | | White |



Mounting brackets ordered separately
Long Slim model, fits most profiles.

Specifications

| | |
|------------------------------|---|
| Supply voltage | 24VDC Low Voltage |
| Nom. Current draw | 0.7 A average |
| Limit stop | (Open): Built in limit switch (Closed) Integrated electronic power cut-off |
| Chain stroke (approx) | 300mm (12") |
| Push force (Max) | 250N (55 lbf +/- 3%) |
| Pull force (Max) | 250N (55 lbf +/- 3%) |
| Chain speed | 9mm/sec |
| Dimensions | 494 x 45 x 32mm (19 ⁷ / ₁₆ " x 1 ³ / ₄ " x 1 ¹ / ₄ ") |
| Power cable | UL cable 1.5 meter included, white color |
| Run/Rest cycle | For every 60 sec running (on), must then rest (off) for 120 sec |
| Ambient Oper Temp | -10 °C to +60 °C (14 °F to 140 °F) |
| Listing | UL Listed |
| Protection class | IP20 |
| Colors | Powder-coated: Grey (RAL 9006), White (RAL 9010), or Black (RAL 9005) |
| Opening mechanism | Stainless steel chain, chain is centered in case |



Synchro Vega is for wide vents providing multiple sash connection points and synchronized operation.

