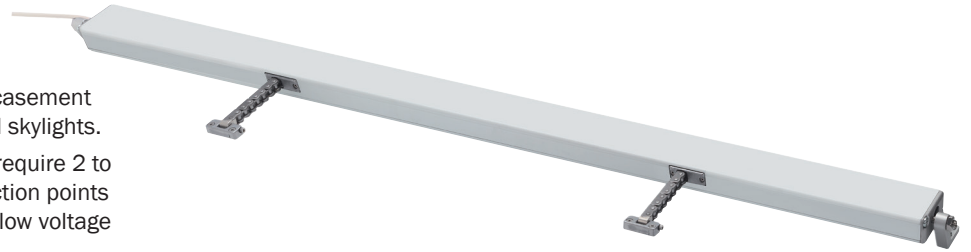


Features

- Vega actuators are for awning windows, casement windows, hoppers, curtain wall vents and skylights.
- Twin Synchro Vega is for wide vents that require 2 to 4 motors, providing multiple sash connection points and synchronized operation. Available in low voltage 24VDC only.
- Multiple vents can be wired in parallel, and can be operated by building automation systems.
- 12" (300mm) chain operator; self-adjusting for proper closure at installation.
- Operator has stainless steel, double-link chain for rigidity and durability.
- Examples of 66 lbs operating force of twin motors: 48" tall/1056 lb. vent, 82" tall/1804 lb. vent, or a 264 lb. skylight.
- Low-profile, attractive aluminum case; available in Black, White or Grey paint.
- Minimum sash height is 10".
- Twin Synchro Vega F-Signal (DC) has opening and closing feedback signal, ask for data sheet.
- Two-year UCS manufacturer's warranty. Requires reading AFI Install Guide before purchase, and confirmation of project and installation specs by licensed electrical contractor.



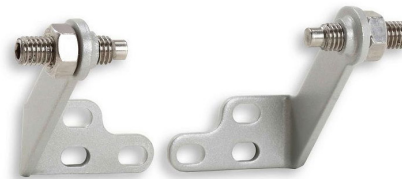
Mounting brackets available separately

Twin Synchro Vega DC

Part #	Color	Stroke (and force)
41154L	Grey RAL 9006	Up to 300mm (600N)
41155N	Black RAL 9005	Up to 300mm (600N)
41156R	White RAL 9010	Up to 300mm (600N)

Mounting Brackets (Ordered separately)

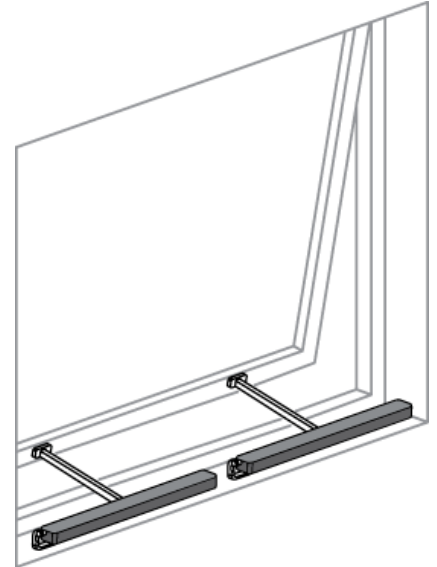
Part #	Style	Color
41898F	Long Slim	Grey
41899G		Black
41900H		White
41901I	Short Slim	Grey
41902J		Black
41903K		White
40843F	Die-cast	Grey
40844G		Black
40845H		White



Mounting brackets ordered separately
Long Slim model, fits most profiles.

Specifications

Supply voltage	24VDC Low Voltage
Nom. Current draw	1.4 A average
Limit stop	(Open): Built in limit switch (Closed) Integrated electronic power cut-off
Chain stroke (approx)	300mm (12")
Push force (Max)	600N (132 lbf +/- 3%)
Pull force (Max)	600N (132 lbf +/- 3%)
Chain speed	9mm/sec
Dimensions	996 x 69 x 37mm (39 ³ / ₁₆ " x 2 ¹¹ / ₁₆ " x 1 ⁷ / ₁₆ ")
Power cable	UL cable 1.5 meter included, white color
Run/Rest cycle	For every 60 sec running (on), must then rest (off) for 120 sec
Ambient Oper Temp	-10 °C to +60 °C (14 °F to 140 °F)
Listing	UL Listed
Protection class	IP20
Colors	Powder-coated: Grey (RAL 9006), White (RAL 9010), or Black (RAL 9005)
Opening mechanism	Stainless steel chain, chain is centered in case



Synchro Vega is for wide vents providing multiple sash connection points and synchronized operation.