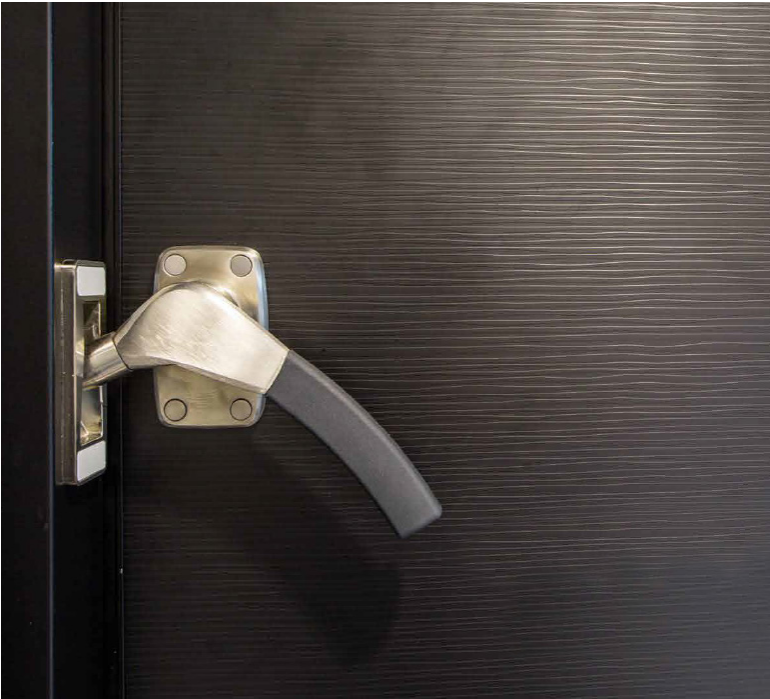
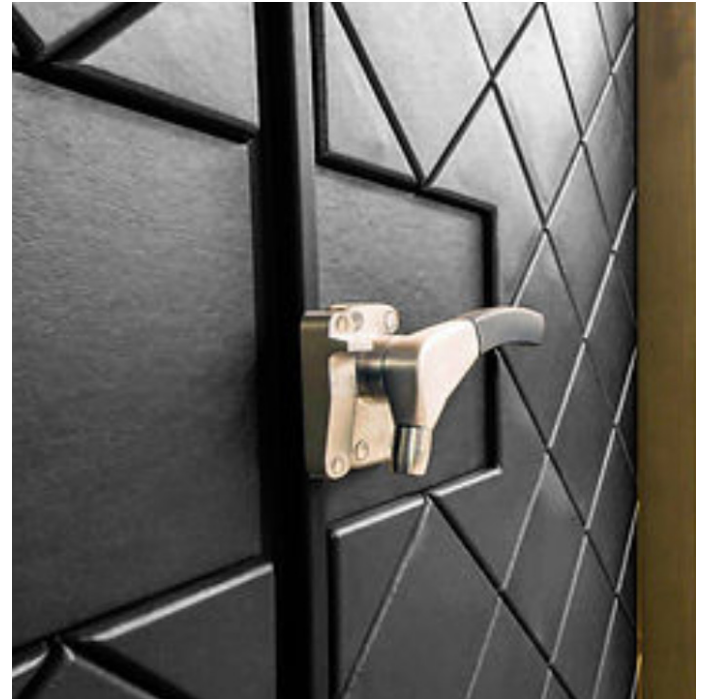


Air Tight Acoustic Lever Set

Air-Tight Lever for sound insulated doors & windows. A high-quality patented sound insulation solution for residential & commercial applications.



WWH-779-BTB-S-SSS Air Tight Lever



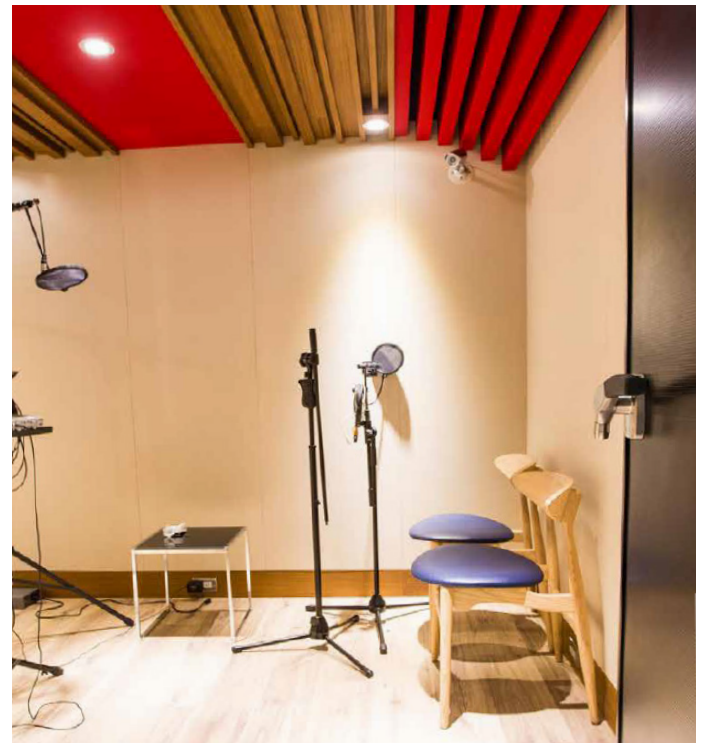
WWH-779-BTB-D-SSS Air Tight Lever

Characteristics

- 304 grade stainless steel lever, with rubber cushioned handle
- Applications: Swinging narrow stile doors & windows
- Non-handed
- Two types of strike catches: surface-mount or embedded
- Suitable for single or double leaf swing doors
- Spindle: 12mm
- Handle Finish: Navy Blue
- International Patent registered
- Tested to 200,000 cycles
- Defect replacement warranty: 1 year

Advantages

- Meets and achieves sound insulation up to 53db. (depending on door structural design)
- Quick activation & release of sound insulating bolt with lever handle
- Easy installation & maintenance
- Moulded Rubber Handle provides comfort during operation
- Can be used together with 3DX concealed stainless steel hinges

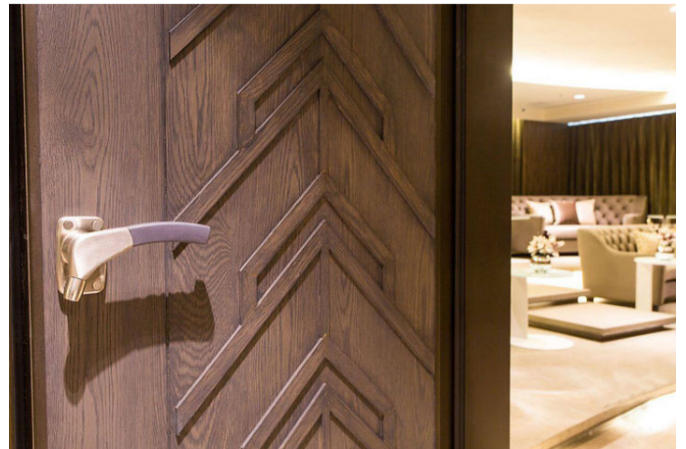
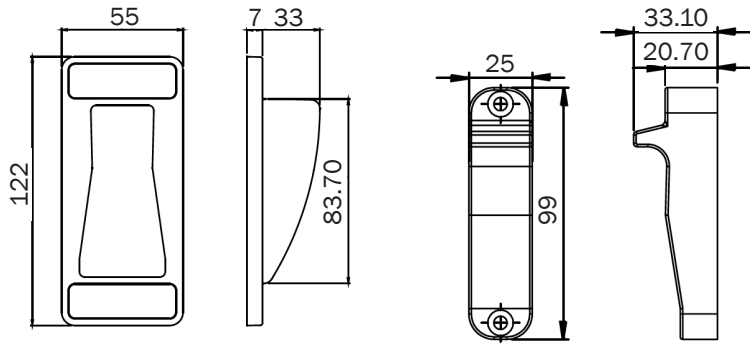
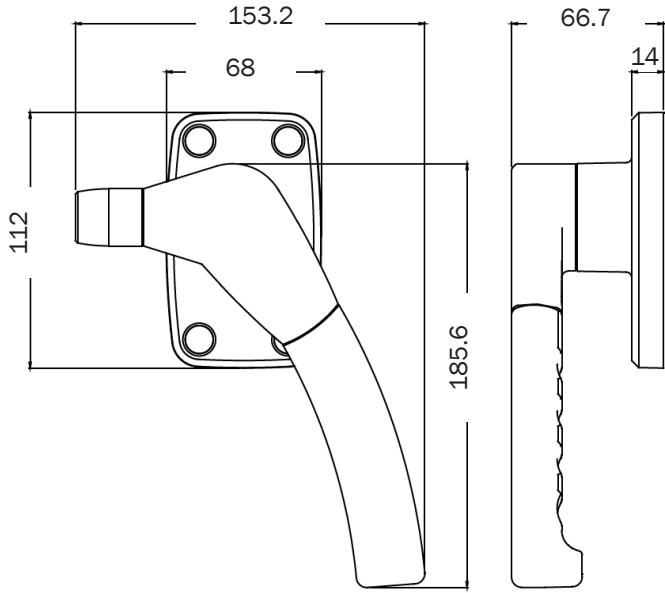


WEIDER METAL AUSTRALIA

Forward innovation

**Designed & manufactured by Weider Metal Australia.
FFI is the exclusive North American distributor for Weider Metal Australia.**

Air-Tight, Acoustical Lever Set



Embedded Strike

Surface-Mount Strike

How to order

Air-Tight Lever

- Material: 304 grade stainless steel
- Embedded strike for insulating strike into jamb
- Surface-mount strike for double-doors and other applications where strike can't be embedded in jamb

Item	Description
WVH-779-BTB-S-SSS	Acoustic handle with embedded strike
WVH-779-BTB-D-SSS	Acoustic handle with surface-mount strike

For details contact FFI, and see FFI catalog at www.Fenestration.net



Functional Fenestration Inc.
 Hawthorne, CA • Phone (800) 677-0228
www.fenestration.net • sales@fenestration.net