

Coming Soon

Axis Pivot System

For pivot doors up to 350kg, 2-year warranty

FUNCTIONAL
FENESTRATION INC.



Features

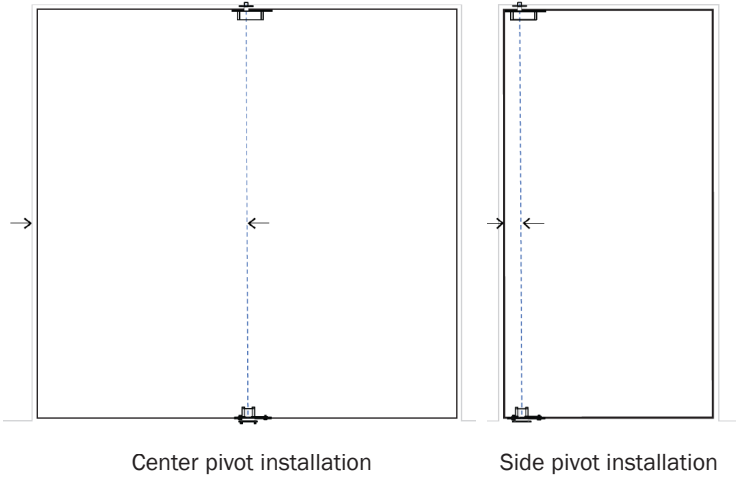
- Top and bottom pivots are concealed into the door
- Materials: 304 grade Stainless Steel and Anodized aluminum
- Corrosion Resistance tested to EN1670 Class 5 (480 hours)
- Door action: Double-acting with 360° rotation, hydraulic driven
- Hold positioning: 4 Hold-open positions 0°, 90°, 180°, 270°
- Max weight capacity: 350 kg (770 lbs)
- Door width: 1000 - 3800 mm
- Door height: Unlimited
- Pivot placement: End or Middle of the door
- Min. door thickness: 40 mm
- Top gap: 4-10 mm
- Bottom gap: 13 mm
- Dimensions: 160mm x 32mm x 143mm
- Compatible door types: most any material (wood, metal, PVC, etc)
- Adjustability: Radial closing angle adjustable up to +/- 2.5 degrees, Axial adjustment +/- 5 mm
- Door movement: Door moves from each 45° angle, in both directions, to a hold position
- Installs into the door, not the floor
- Cycle testing certificate to 100,000 cycles
- Two-year Warranty by VBH(GB) Ltd



AXIS Pivot System

For wood, aluminum or steel pivot doors

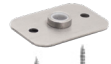
Part #	Description
APHS.500.1	Axis Pivot system. Includes door closer, top pivot, ceiling plate, floor plate & mounting tools



Center pivot installation

Side pivot installation

Ceiling Plate



Top Pivot



Door



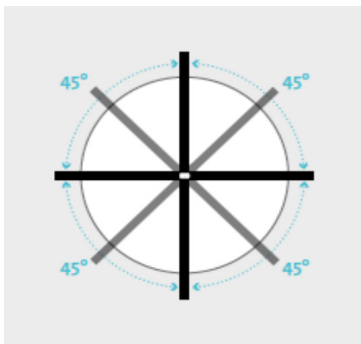
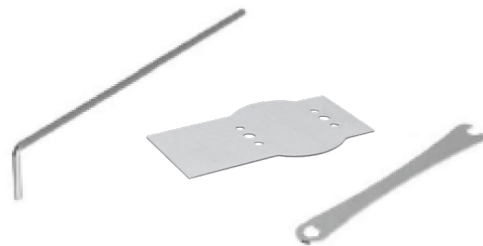
Door Closer



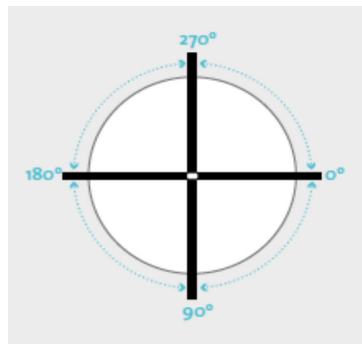
Floor Plate



Mounting Tools



Door moves from each 45° angle, in both directions, to a hold position.



Double-acting doors, 360° rotation.
Hold positions: 0°, 90°, 180°, 270°



Functional Fenestration Inc.
Hawthorne, CA • Phone (800) 677-0228
www.fenestration.net • sales@fenestration.net