

Sliding / Barn Door Hardware



Sliding Barn Door Hardware	Pages
SST Barn Door Hardware	C-3 to C-6
Track Hangers for SST Tracks	C-7
SST Bi-Fold Hardware	C-8 to C-9
ALU Barn Door Hardware	C-10 to C-17
Door Pulls, Edge Pulls	C-18 to C-21
Sliding Door Mortise Locks	C-22
Touch Magnetic Catch	C-23

FFI TOP-HUNG BARN DOOR SYSTEMS

"Top-hung" doors are hung from a top track and carriage system. Top-hung systems allow a smooth floor—with no bottom track, no protruding sill, no trip-hazard.

Applications

Residential, condominiums, hotels & resorts: Barn doors, pocket doors, interior room dividers, screens, closets, pantries, server windows, and more.

SST marine-grade is also for institutional, industrial, and highly corrosive environments: exterior storm shutters, coastal buildings, marinas, yachts, animal enclosures, factories, and more.

Characteristics - Best Materials

- 316-L marine-grade stainless steel track and carriages
- Highly durable Delrin wheels
- 440C stainless steel ball bearings

Advantages - Compared to other brands

- Smooth and long-lasting performance
- Self-cleaning and self-plumbing wheel and track system
- Delrin wheels are quiet, UV-resistant, and have corrosion-resistance and durability on par with stainless steel
- Track is Made in USA

SST Systems

	Door Weight	Track W x H	Lengths
Light Series T300	81 - 165 lbs	30 x 27mm	8', 12', 20'
Medium Series T400	166 - 440 lbs	40 x 38mm	8', 12', 20'
Heavy Series T480	441 - 880 lbs	48 x 46mm	8', 12', 20'
T560 (Special Order)	880 -1300 lbs	56 x 58mm	4 & 6 meter

Floor Guide Options



For an invisible bottom guide, route a channel down the center of the door's bottom rail, and set it over a floor guide pin or roller fixed in the floor.



For an easy-install bottom guide, fix a floor guide pin or roller fixed on the floor in front of the door face.

316-L Marine Grade



Self-cleaning, self-plumbing systems for long-lasting smooth operation.



FFI TOP FLIGHT SST TOP-HUNG SYSTEM FOR LIGHT-DUTY PANELS (UP TO 165 LBS) USE WITH T300 TRACK



Light Duty Carriage



TH-LIT-B Carriage bracket



TH-LIT-S Track stop



T300.96.01N shown



Brushed (.04)



Polished (.07)



15001



SL200.2B.630



36126

- Applications: exterior or interior sliding shutters, screens, barns, pocket doors, room dividers, and more.
- Suitable for all sash types (wood, clad, steel, aluminum, composite, PVC/vinyl).
- Track and carriages are 316-L marine-grade stainless steel
- Track is shaped to be self-cleaning and self-plumbing
- Carriage ball bearings are 400 series stainless steel for endurance and hardness, and centered for smooth operation
- Highly durable long lifespan Delrin wheels
- Track dimensions: 30mm W x 27mm H

Carriages	Use 2 per panel
TH-LIT-C	316-L Stainless Steel carriage with Delrin wheels
Brackets	
TH-LIT-B	Top-mount carriage bracket, stainless steel 316-L (2 per panel)
Track Brackets	See page C-7
Track stop	
TH-LIT-S	Track stop with rubber bumper, stainless steel 316-L

Top Track	165 lbs (75 kg) maximum door weight		
T300.96.01	8' track	pre-drilled	SST unfinished
T300.96.01N	8' track	not drilled	SST unfinished
T300.144.01	12' track	pre-drilled	SST unfinished
T300.144.01N	12' track	not drilled	SST unfinished
T300.240.01	20' track	pre-drilled	SST unfinished
T300.240.01N	20' track	not drilled	SST unfinished

Track finish options available: Brushed (.04) or Polished (.07), ask for details
8' track: 7 brackets. 12' track: 10 brackets. 20' track: 17 brackets.

Track Hanging Brackets - See page C-7

Floor Accessories - guides, pins, rollers and channel

- SL200.2B.630** Floor guide pin, stainless steel 304, tumbled finish
- 15001** Floor guide pin, ABS plastic grey
- 18126** Floor guide roller with bracket, 5/8" diameter nylon roller.
- 36126** Floor guide roller, 5/8" diameter nylon roller. Machine thread for metal sashes or receivers.
- SL202.144.63** Stainless steel 316-L U-channel floor track 3/4" x 3/4" x 12'.



SL202.144.63



18126



Medium Duty Carriage



TH-MED-B Carriage bracket



TH-MED-S Track stop



T400.96.01N shown



Brushed (.04)



Polished (.07)



SL200.2B.630



36136

FFI TOP FLIGHT SST TOP-HUNG SYSTEM FOR MEDIUM-DUTY PANELS (UP TO 440 LBS) USE WITH T400 TRACK

- Applications: exterior or interior sliding shutters, screens, barns, pocket doors, room dividers, and more.
- Suitable for all sash types (wood, clad, steel, aluminum, composite, PVC/vinyl).
- Track and carriage are 316-L marine-grade stainless steel
- Track is shaped to be self-cleaning and self-plumbing
- Carriage ball bearings are 400 series stainless steel for endurance and hardness, and centered for smooth operation
- Delrin wheels are highly durable with long lifespan
- Medium Duty carriages have all-wheel drive feature
- Track dimensions: 40mm W x 38mm H

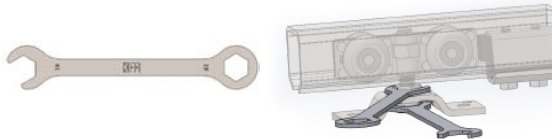
Carriages	Use 2 per panel
TH-MED-C	316-L Stainless Steel carriage with Delrin wheels & all-wheel drive

Brackets	Use 2 per panel
TH-MED-B	Top-mount carriage bracket, stainless steel 316-L (2 per panel) TH-WC19 special wrench needed for adjustment & securing

Track Brackets	See page C-7
-----------------------	--------------

Track stop	Use 2 per track
TH-MED-S	Track stop with rubber bumper, stainless steel 316-L

Tools	Use 2 per installation
TH-WC19	Installation wrench. Needed when using TH-MED-B Carriage Top Mount Brackets. Special wrench for vertical adjustment & securing of TH-MED-B top mount brackets, 2 required.



Top Track	352 lbs (160 kg) maximum door weight		
T400.96.01	8' track	pre-drilled	SST unfinished
T400.96.01N	8' track	not drilled	SST unfinished
T400.144.01	12' track	pre-drilled	SST unfinished
T400.144.01N	12' track	not drilled	SST unfinished
T400.240.01	20' track	pre-drilled	SST unfinished
T400.240.01N	20' track	not drilled	SST unfinished

Track finish options available: Brushed (.04) or Polished (.07), ask for details

Track Hanging Brackets - See page C-7

Floor guides, pins, rollers and channel

- SL200.2B.630** Floor guide pin, stainless steel 304, tumbled finish
- 18136** SST floor roller guide with bracket, 3/4" diameter nylon roller.
- 36136** SST floor roller guide with 3/4" diameter nylon roller. Machine thread for metal sashes or receivers.
- SL203.144.63** SST U-channel track 1" x 1" x 12', install in floor or under door



SL203.144.63



18136



Heavy Duty Carriage



TH-HVY-B Carriage bracket



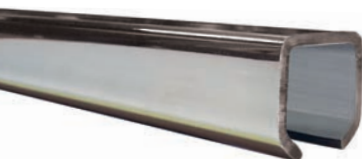
TH-HVY-S Track stop



T480.96.01N shown



Brushed (.04)



Polished (.07)



SL200.2B.630



36136

FFI TOP FLIGHT SST TOP-HUNG SYSTEM FOR HEAVY-DUTY PANELS (UP TO 880 LBS) USE WITH T480 TRACK

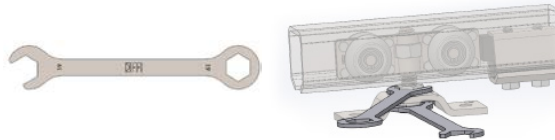
- Applications: exterior or interior sliding shutters, screens, barns, pocket doors, room dividers, and more
- Suitable for all sash types (wood, clad, steel, aluminum, composite, PVC/vinyl).
- Track and carriages are 316-L marine-grade stainless steel
- Track is shaped to be self-cleaning and self-plumbing
- Carriage ball bearings are 400 series stainless steel for endurance and hardness, and centered for smooth operation
- Delrin wheels are highly durable with long lifespan
- Heavy Duty carriages have all-wheel drive feature
- Track dimensions: 48mm W x 47mm H

Carriages	Use 2 per panel
TH-HVY-C	316-L Stainless Steel carriage with Delrin wheels & all-wheel drive

Brackets	
TH-HVY-B	Top-mount carriage bracket, stainless steel 316-L (2 per panel) TH-WC19 special wrench needed for adjustment & securing
9146	Side-mount carriage bracket, stainless steel 316-L (2 per panel)
Track Brackets	See page C-7

Track stop	Use 2 per panel
TH-HVY-S	Track stop with rubber bumper, stainless steel 316-L

Tools	Use 2 per installation
TH-WC19	Installation wrench. Needed when using TH-HVY-B Carriage Top Mount Brackets. Special wrench for vertical adjustment & securing of TH-HVY-B top mount brackets, 2 required.



Top Track	880 lbs (400 kg) maximum door weight		
T480.96.01	8' track	pre-drilled	SST unfinished
T480.96.01N	8' track	not drilled	SST unfinished
T480.144.01	12' track	pre-drilled	SST unfinished
T480.144.01N	12' track	not drilled	SST unfinished
T480.240.01	20' track	pre-drilled	SST unfinished
T480.240.01N	20' track	not drilled	SST unfinished

Track finish options available: Brushed (.04) or Polished (.07), ask for details

Track Hanging Brackets - See page C-7

Floor guides, pins, rollers and channel	
SL200.2B.630	Floor guide pin, stainless steel 304, tumbled finish
18146	SST floor roller guide bracket with 1" diameter nylon roller
36146	SST floor roller guide with 1" diameter nylon roller. Machine thread for metal sashes or receivers.
SL204.144.63	SST U-channel track 1 $\frac{3}{16}$ " x 1 $\frac{3}{16}$ " x 12', install in floor or under door



SL204.144.63

18146



K310-61

FOR USE WITH T300 TRACK

Order 2 carriages and brackets per panel

- K310-61** Stainless Steel carriage with PETP wheels
- 8066** Top-mount carriage bracket, stainless steel 316-L (2 per panel)
- 12066** Track stop with rubber bumper, stainless steel 316-L



GAS400-61



GKS400-61



GKS400-61-MA



G400-61-MA

FOR USE WITH T400 TRACK

Order 2 carriages and brackets per panel

- GAS 400-61** Stainless Steel carriage with PETP wheels, low profile
Carries 165 lbs (75 kg) per carriage (165 lbs/panel)
- GKS400-61** Stainless Steel carriage with SST wheels, low profile
Carries 176 lbs (80 kg) per carriage (352 lbs/panel)
- GKS400-61-MA** Stainless Steel carriage with SST wheels, 4-wheel drive
Carries 198 lbs (90 kg) per carriage (396 lbs/panel)
- G400-61-MA** Stainless Steel carriage with SST wheels, 4-wheel drive
Carries 220 lbs (100 kg) per carriage (440 lbs/panel)
- 8136** Top-mount carriage bracket, stainless steel 316-L (2
per panel)
- 9136** Side-mount carriage bracket, stainless steel 316-L (2
per panel)
- 12136** Track stop with rubber bumper, stainless steel 316-L
- Track Brackets** See page C-7



ZKL480-61



ZKS480-61



ZKS480-61-MA

FOR USE WITH T480 TRACK

Order 2 carriages and brackets per panel

- ZKL480-61** Stainless Steel carriage with PETP wheels, low profile
Carries 275 lbs (125 kg) per carriage (550 lbs/panel)
- ZKS480-61** Stainless Steel carriage with SST wheels, low profile
Carries 330 lbs (150 kg) per carriage (660 lbs/panel)
- ZKS480-61-MA** Stainless Steel carriage with SST wheels, 4-wheel drive
Carries 440 lbs (200 kg) per carriage (880 lbs/panel)
- 8146** Top-mount carriage bracket, stainless steel 316-L (2
per panel)
- 9146** Side-mount carriage bracket, stainless steel 316-L (2
per panel)
- 12146** Track stop with rubber bumper, stainless steel 316-L
- Track Brackets** See page C-7



XKS560-61

FOR USE WITH T560 TRACK

(T560-61D4 4-meter, T560-61D6 6-meter)

Order 2 carriages and brackets per panel, ask for details

- XKS560-61** Stainless Steel carriage with stainless steel wheels, low profile
Carries 550 lbs (250 kg) per carriage (1,100 lbs/panel)
- 9156** Side-mount carriage bracket, stainless steel 316-L (2 per panel)
- 12156** Track stop with rubber bumper, stainless steel 316-L
- Track Brackets** See page C-7

TRACK HANGERS

316-L marine grade stainless steel track hangers. Hangers slide over top track and connect track to wall or ceiling. Ask FFI for bracket spacing recommendations.

Wall Installation

Wall brackets (Screws not included; use screw type to suit application)

For 100" track use 9 brackets. For 148" track use 13 brackets.

Part #	Description
81066	Adjustable (1/2") SST bracket (basic). Recommended one per foot
47066	Adjustable (3/4") SST wall bracket for non-linear walls. Recommended one per foot

Part #	Description	Use
2136	For T400 track	Optional
2146	For T480 track	Strongly recommended
2156	For T560 track	Strongly recommended

Ceiling Installation

Part #	Description	Use
3136	For T400 track	Optional
3146	For T480 track	Strongly recommended
3156	For T560 track	Strongly recommended
4136	For T400 track	Optional
4146	For T480 track	Strongly recommended
4156	For T560 track	Strongly recommended

Height Adjustable Ceiling Installation

Part #	Description	Use
40136	For T400 track	Optional
40146	For T480 track	Strongly recommended
40156	For T560 track	Strongly recommended

Wall Installation (Non-linear walls or large doors)

Part #	Description	Use
45136	For T400 track	Optional
45146	For T480 track	Strongly recommended

(Not available for T560 system)

Splicing Clamp (To connect two pieces of track)

Part #	Description	Use
5136	For T400 track	Optional
5146	For T480 track	Strongly recommended
5156	For T560 track	Strongly recommended



Recommendations

- Anchor head track securely to a structural member that is rated to hold the weight of the doors plus the weight of the hardware.
- Head track must be installed plumb and square on the wall or ceiling header with no tilt, bend or sag.
- Do not exceed weight limits of track or carriages. Over-loaded tracks can deform; exceeding track rating is not recommended or warranted.



T400.96.01N shown



FHN-400-61

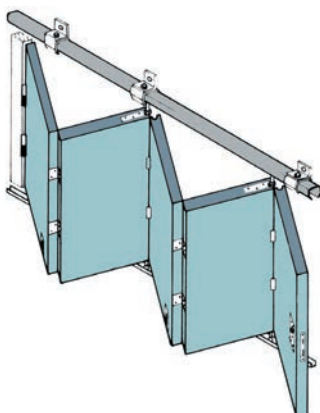


10136A

44136A



SL203.144.63



BI-FOLD T400 SST (STAINLESS STEEL) TOP-HUNG SYSTEM

Modern, highly corrosion-resistant bi-fold hardware, for up to 275 lb panels. High quality design and tested components for bi-fold door applications.

- Track and carriages are 316-L marine-grade stainless steel
- Track is shaped to be self-cleaning and self-plumbing
- Carriage ball bearings are 400 series stainless steel for endurance and hardness, and centered for smooth operation
- Track dimensions: 40mm W x 38mm H
- Not included with this system: hinges, gasketing, latch/lock

Applications/configurations

- T400 bi-fold is ideal for layouts with odd number of panels, with a jamb panel operating as a swing door.
- If using an even number of panels, an air gap will occur in the middle, to be covered by an astragal.
- T400 bi-fold jamb panels must be shorter than other panels (except if both jamb panels are swing doors not hinged to the jambs).

Top Track	275 lbs (125 kg) maximum stack weight per meter of track		
T400.96.01	8' track	pre-drilled	SST unfinished
T400.96.01N	8' track	not drilled	SST unfinished
T400.144.01	12' track	pre-drilled	SST unfinished
T400.144.01N	12' track	not drilled	SST unfinished
T400.240.01	20' track	pre-drilled	SST unfinished
T400.240.01N	20' track	not drilled	SST unfinished

Track finish options available: Brushed (.04) or Polished (.07), ask for details



Brushed (.04)



Polished (.07)

Carriage

FHN-400-61	Stainless Steel bi-fold carriage with PETP wheels Maximum stack weight per bi-fold panel track: 275 lbs (125 kg)**
-------------------	---

Brackets

Use two per track (See technical files for other types)

10136A	Bi-fold Type A ceiling mount bracket
Track Brackets	See page C-7

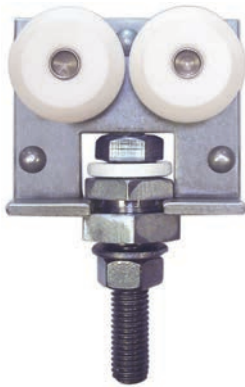
Floor rollers and channel

44136A	Bi-fold floor guide with nylon roller for U-channel track
SL203.144.63	SST U-channel floor track 1" x 1" x 12'.

**** Weight limits: this top track has a weight limit per meter, also called the "stack weight" limit, because bi-fold panels are folded to the side, they are stacked together within 39.37" (one meter) or less. "Stack weight" is the total weight of panels hung from a track, minus weight of any jamb panel(s) hung by hinges to the jamb.**



T480.96.01N shown



FHN-480-61

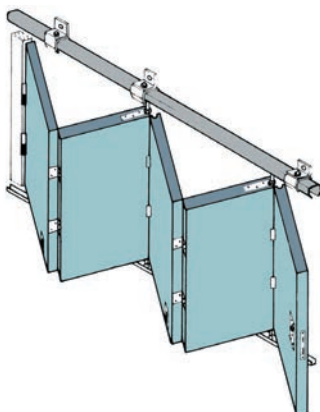


10146A

44146A



SL204.144.63



BI-FOLD T480 SST (STAINLESS STEEL) TOP-HUNG SYSTEM

Modern, highly corrosion-resistant bi-fold hardware, for up to 450 lb panels.
High quality design and tested components for bi-fold door applications.

- Track and carriages are 316-L marine-grade stainless steel
- Track is shaped to be self-cleaning and self-plumbing
- Carriage ball bearings are 400 series stainless steel for endurance and hardness, and centered for smooth operation
- Track dimensions: 48mm W x 47mm H
- Not included with this system: hinges, gasketing, latch/lock

Applications/configurations

- T480 bi-fold is ideal for layouts with odd number of panels, with a jamb panel operating as a swing door.
- If using an even number of panels, an air gap will occur in the middle, to be covered by an astragal.
- T480 bi-fold jamb panels must be shorter than other panels (except if both jamb panels are swing doors not hinged to the jambs).

Top Track	450 lbs (205 kg) maximum stack weight per meter of track		
T480.96.01	8' track	pre-drilled	SST unfinished
T480.96.01N	8' track	not drilled	SST unfinished
T480.144.01	12' track	pre-drilled	SST unfinished
T480.144.01N	12' track	not drilled	SST unfinished
T480.240.01	20' track	pre-drilled	SST unfinished
T480.240.01N	20' track	not drilled	SST unfinished

Track finish options available: Brushed (.04) or Polished (.07), ask for details



Brushed (.04)



Polished (.07)

Carriage

FHN-480-61	Stainless Steel bi-fold carriage with PETP wheels Maximum stack weight per bi-fold panel track: 450 lbs (205 kg)**
-------------------	---

Brackets

Use two per track

10146A	Bi-fold Type A ceiling mount bracket
Track Brackets	See page C-7

Floor rollers and channel

44146A	Bi-fold floor guide with nylon roller for U-channel track
SL204.144.63	SST U-channel floor track 1 $\frac{3}{16}$ " x 1 $\frac{3}{16}$ " x 12'.

**** Weight limits: this top track has a weight limit per meter, also called the "stack weight" limit, because bi-fold panels are folded to the side, they are stacked together within 39.37" (one meter) or less. "Stack weight" is the total weight of panels hung from a track, minus weight of any jamb panel(s) hung by hinges to the jamb.**

ALU 40 NEO TOP-HUNG SYSTEM

High quality design and tested components for pocket doors & room dividers.



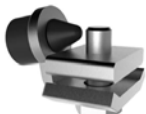
ALU 40 NEO Kit contains:



2 Carriages



2 Carry Brackets



2 Track Stops



1 Plastic floor guide

- FFI aluminum track is Made-in-USA and Class I anodized for 3,000 hour salt-spray corrosion resistance per ASTM B117-07
- Track is shaped to be self-cleaning and self-plumbing
- Track is pre-drilled to bolt directly to ceiling or to wall using optional brackets
- Track dimensions: 1"W x 1"H (26mm W x 25mm H)
- Minimum door thickness 25mm (1")
- Minimum door width 500mm (19¹¹/₁₆"
- Highly durable nylon wheels will not develop flat spots
- Carriages have centered ball bearings for smooth operation

Top Track	90 lbs (40 kg) maximum door weight per track	
ALU40.74.01	6'2" (1879mm) track	Silver
ALU40.100.01	8'4" (2540mm) track	Silver
ALU40.148.01	12'4" (3759mm) track	Silver

ALU 40 NEO Carriage Kit for 90 lbs (40 kg) panels - Use one kit per panel

- ALU40NEO-14**
- 2 A260 carriages, zinc-plated steel, ball bearings, nylon wheels
 - 2 8069 top-mounted carrying brackets
 - 2 12039 track stops with catch and rubber bumper
 - 1 15001 floor guide pin, ABS Grey plastic

OPTIONS

Wall brackets (Screws not included; use screw type to suit application)

- 81069** Adjustable (1/2") bracket, 1 1/8" x 2" (28mm x 50mm)
- 47069** Adjustable (3/4") bracket, for non-linear walls, 1 9/16" x 2" (40 x 50mm)



100" track use 9 brackets
148" track use 13 brackets
244" track use 21 brackets

Floor guide (Screws not included; use screw type to suit application)

- SL200.2B.630** Stainless steel 304 (SST) floor guide pin, tumbled finish





ALU 80 NEO TOP-HUNG SYSTEM

High quality design and tested components for pocket doors & room dividers. PETP wheels are far quieter than metal wheels, and are just as durable.

- FFI aluminum track is Made-in-USA and Class I anodized for 3,000 hour salt-spray corrosion resistance per ASTM B117-07
- Track is shaped to be self-cleaning and self-plumbing
- Track is pre-drilled to bolt directly to ceiling or to wall using optional brackets
- Track dimensions: 31mm W x 27mm H
- Minimum door thickness 1" (25mm)
- Minimum door width 500mm (19¹¹/₁₆")
- Highly durable PETP polymer wheels will not develop flat spots
- Carriages have centered ball bearings for smooth operation

ALU 80 NEO-14 Kit contains:



2 Carriages



2 Carry Brackets



2 Adjustable Track Stops



1 Plastic floor guide

Top Track	176 lbs (80 kg) maximum door weight per track	
ALU80.74.01	6'2" (1879mm) track	Silver
ALU80.100.01	8'4" (2540mm) track	Silver
ALU80.148.01	12'4" (3759mm) track	Silver
ALU80.244.01	20'4" (6197mm) track	Silver

ALU 80 NEO Carriage Kit for 176 lbs (80 kg) panels - Use one kit per panel

- ALU80NEO-14** 2 A310 carriages, zinc-plated steel, ball bearings, PETP wheels
- 2 8069 top-mounted carrying brackets
- 2 115069 adjustable track stops with catch and rubber bumper
- 1 T-Guide Holz floor guide, ABS Black plastic

OPTIONS

Wall brackets (Screws not included; use screw type to suit application)

- 81069** Adjustable (1/2") bracket, 1 1/8" x 2" (28mm x 50mm)
- 47069** Adjustable (3/4") bracket, for non-linear walls, 1 9/16" x 2" (40 x 50mm)



100" track use 9 brackets
148" track use 13 brackets
244" track use 21 brackets

Floor guide (Screws not included; use screw type to suit application)

- SL200.2B.630** Stainless steel 304 (SST) floor guide pin, tumbled finish



NEO 80 MX (MINIMAL GAP) TOP-HUNG SYSTEM



- Clean, low-profile appearance
- FFI aluminum track is Made-in-USA and Class I anodized for 3,000 hour salt-spray corrosion resistance per ASTM B117-07
- Track is shaped to be self-cleaning and self-plumbing
- Track is pre-drilled to bolt directly to ceiling or to wall using optional brackets
- Track dimensions: 31mm W x 27mm H
- Minimum door thickness 30mm (1³/₁₆"
- Minimum door width 500mm (19¹¹/₁₆"
- Highly durable PETP polymer wheels will not develop flat spots
- Carriages have centered ball bearings for smooth operation

NEO80+ MX Kit contains:



2 Top carrier flanges



2 Rubber stops (concealed)



6 Screws 4.5mm x 40mm



2 Adjustment Tools

Top Track	176 lbs (80 kg) maximum door weight per track	
ALU80.74.01	6'2" (1879mm) track	Silver
ALU80.100.01	8'4" (2540mm) track	Silver
ALU80.148.01	12'4" (3759mm) track	Silver
ALU80.244.01	20'4" (6197mm) track	Silver

ALU 80 NEO Carriage Kit for 176 lbs (80 kg) panels - Use one kit per panel

- ALU80NEO-14**
- 2 A310 carriages, zinc-plated steel, ball bearings, PETP wheels
 - 2 8069 top-mounted carrying brackets
 - 2 115069 adjustable track stops with catch and rubber bumper
 - 1 T-Guide Holz floor guide, ABS Black plastic

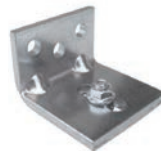
NEO80 MX Kit for 176 lbs (80 kg) panels - Use one kit per panel

- NEO80+MX**
- 2 top carrier flanges (202083A-40NEO)
 - 2 199069 adjustable stopper with bumper(concealed in track)
 - Mounting fasteners

OPTIONS

Wall brackets (Screws not included; use screw type to suit application)

- 81069** Adjustable (1/2") bracket, 1 1/8" x 2" (28mm x 50mm)
- 47069** Adjustable (3/4") bracket, for non-linear walls, 1 9/16" x 2" (40 x 50mm)



100" track use 9 brackets
148" track use 13 brackets
244" track use 21 brackets

Floor guide (Screws not included; use screw type to suit application)

- SL200.2B.630** Stainless steel 304 (SST) floor guide pin, tumbled finish

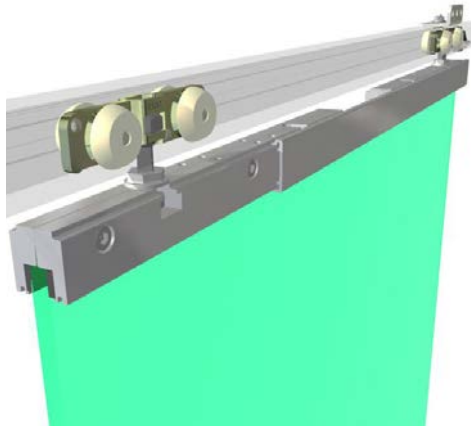


Specifying the NEO80 MX system

Required for a complete system:

1. **ALU80 track**
2. **ALU80NEO-14 Carriage Kit**
3. **NEO80+MX Low Profile Kit**

Contact FFI for drawings and BOM.



NEO 80 GLASS TOP-HUNG SYSTEM

- FFI aluminum track is Made-in-USA and Class I anodized for 3,000 hour salt-spray corrosion resistance per ASTM B117-07
- Track is shaped to be self-cleaning and self-plumbing
- Track is pre-drilled to bolt directly to ceiling or to wall using optional brackets
- Track dimensions: 31mm W x 27mm H
- Glass clamps accommodate 8-10mm ($\frac{5}{16}$ "- $\frac{3}{8}$ " thick glass panels
- Minimum door width 500mm (19 $\frac{1}{16}$ "
- Highly durable PETP polymer wheels will not develop flat spots
- Carriages have centered ball bearings for smooth operation

NEO 80 Glass Kit contains:



2 Glass Clamps



2 Clipstop track stops



1 T-Guide Glass panel guide

Top Track **176 lbs (80 kg) maximum door weight per track**

ALU80.74.01	6'2" (1879mm) track	Silver
ALU80.100.01	8'4" (2540mm) track	Silver
ALU80.148.01	12'4" (3759mm) track	Silver
ALU80.244.01	20'4" (6197mm) track	Silver

ALU 80 NEO Carriage Kit for 176 lbs (80 kg) panels - Use one kit per panel

ALU80NEO-14	2 A310 carriages, zinc-plated steel, ball bearings, PETP wheels 2 8069 top-mounted carrying brackets 2 115069 adjustable track stops with catch and rubber bumper 1 T-Guide floor guide, ABS Black plastic
--------------------	---

NEO 80 Glass Kit for 176 lbs (80 kg) glass panels - Use one kit per panel

NEO80+Glas	2 274087M Glass clamps, for 8-10mm glass 2 199069 Clipstop track stops with catch and rubber bumper 1 T-Guide Glass panel guide Mounting fasteners
-------------------	--

OPTIONS

Cover panel set for glass clamp (optional)

B272087-1200-14	1200mm anodized aluminum EV1	Silver
B272087-2000-14	2000mm anodized aluminum EV1	Silver

Wall brackets (Screws not included; use screw type to suit application)

81069	Adjustable ($\frac{1}{2}$ ") bracket, 1 $\frac{3}{8}$ " x 2" (28mm x 50mm)
47069	Adjustable ($\frac{3}{4}$ ") bracket, for non-linear walls, 1 $\frac{9}{16}$ " x 2" (40 x 50mm)



100" track use 9 brackets
 148" track use 13 brackets
 244" track use 21 brackets

Specifying the NEO80 Glass system

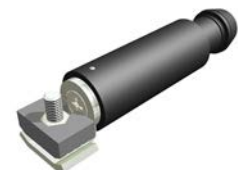
Required for a complete system:

1. ALU80 track
2. ALU80NEO-14 Carriage Kit
3. NEO80+Glas Kit

Contact FFI for drawings and BOM.

Softmaster (Push to open) - For ALU80 Series pocket doors

207061	Opening aid for pocketing doors
---------------	---------------------------------



ALU 100 NEO PRO TOP-HUNG SYSTEM

High quality design and tested components for pocket doors & room dividers. PETP wheels are far quieter than metal wheels, and are just as durable.



PRO100Holz Kit contains:



2 Carriages



2 Top-mount carrying brackets



2 Track stops



1 Plastic floor guide

ALU 100 NEO PRO Wood Kit for 220 lbs (100 kg) panels - Use one kit per panel

- PRO100Holz**
- 2 RX100A carriages, ball bearings, PETP wheels
 - 2 8069 top-mount carrying brackets
 - 2 SX100H Adjustable track stops
 - 1 T-Guide Wood floor guide
 - Mounting fasteners

Running Track T355

Other lengths available by request

- T355087-2000** 2000mm (6'6¾")
- T355087-3000** 3000mm (9'10½")
- T355087-6000** 6000mm (19'8")

End Caps

- 177380-24** Soffit or ceiling mount
- More available (See pg C-16)

OPTIONS

In-line Soft Close Accessory*, hidden in track - Choose one per door

- 205080IP1-1NEO** Single-damping, 50 kg capacity. 640mm minimum door width
- 205080IP2-1NEO** Single-damping, 100 kg capacity. 640mm minimum door width
- 205080IP1-2NEO** Double-damping, 50 kg capacity. 810mm minimum door width
- 205080IP2-2NEO** Double-damping, 100 kg capacity. 810mm minimum door width

*Includes damping trigger



Single-damping unit



Double-damping unit

Specifying the NEO100 Pro system

Required for a complete system:

1. Running Track T355
2. Pro100Holz Kit

Contact FFI for drawings and BOM.

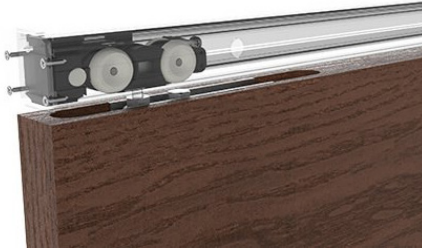
Softmaster (Push to open) - For ALU100 Series pocket doors

- 207081** Opening aid for pocketing doors



ALU 100 NEO PRO MX (MINIMAL GAP) TOP-HUNG SYSTEM

High quality design and tested components for pocket doors & room dividers. PETP wheels are far quieter than metal wheels, and are just as durable.



- Clean, low-profile appearance
- Silver (clear) standard anodized finish
- Track is shaped to be self-cleaning and self-plumbing
- Track dimensions: 35.5mm W x 39.5mm H
- Door thickness 1½-1¾" (30-45mm)
- Minimum door width 500mm (19¼")
- Highly durable PETP polymer wheels will not develop flat spots
- Carriages have centered ball bearings for smooth operation

PRO100MX Kit contains:



2 Carriages



2 Top-mount carrying brackets



2 Track stops



1 Plastic floor guide

ALU 100 NEO PRO MX Kit for 220 lbs (100 kg) panels - Use one kit per panel

PRO100MX	2 RX100A carriages, ball bearings, PETP wheels
	2 top carrier flanges (202083A-45NEO)
	2 SX100H Adjustable track stops
	1 T-Guide Holz floor guide
	Mounting fasteners

Running Track T355

Other lengths available by request

T355087-2000	2000mm (6'6¾")
T355087-3000	3000mm (9'10½")
T355087-6000	6000mm (19'8")

End Caps

177432-24	Soffit or ceiling mount
------------------	-------------------------

More available (See pg C-16)

OPTIONS

In-line Soft Close Accessory*, hidden in track - Choose one per door

205080IP1-1NEO	Single-damping, 50 kg capacity. 640mm minimum door width
205080IP2-1NEO	Single-damping, 100 kg capacity. 640mm minimum door width
205080IP1-2NEO	Double-damping, 50 kg capacity. 810mm minimum door width
205080IP2-2NEO	Double-damping, 100 kg capacity. 810mm minimum door width

*Includes damping trigger



Single-damping unit



Double-damping unit

Specifying the NEO100 MX Minimal Gap system

Required for a complete system:

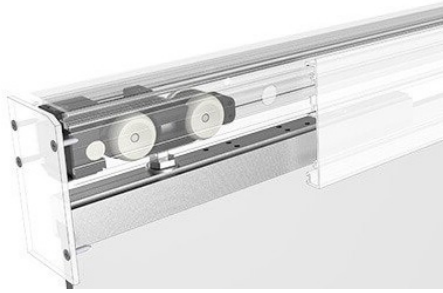
1. Running Track T355
2. PRO100MX Kit

Contact FFI for drawings and BOM.

Softmaster (Push to open) - For ALU100 Series pocket doors

207081	Opening aid for pocketing doors
---------------	---------------------------------





ALU 100 NEO PRO GLASS TOP-HUNG SYSTEM

High quality design and tested components for pocket doors & room dividers. PETP wheels are far quieter than metal wheels, and are just as durable.

- Silver (clear) standard anodized finish
- Track is shaped to be self-cleaning and self-plumbing
- Track dimensions: 35.5mm W x 39.5mm H
- Glass clamps accommodate 8-10mm (5/16"-3/8") thick glass panels
- Minimum door width 500mm (19 11/16")
- Highly durable PETP polymer wheels will not develop flat spots
- Carriages have centered ball bearings for smooth operation

PRO100Glas Kit contains:



2 Carriages



2 Glass Clamps



2 Track stops



1 T-Guide Glass panel guide

ALU 100 NEO PRO Glas Kit for 220 lbs (100 kg) panels - Use one kit per panel

PRO100Glas	2 RX100A carriages, ball bearings, PETP wheels
	2 top carrier flanges (202083A-45NEO)
	2 SX100H Adjustable track stops
	1 T-Guide Glass panel guide
	Mounting fasteners

Running Track T355

Other lengths available by request

T355087-2000	2000mm (6'6 3/4")
T355087-3000	3000mm (9'10 1/2")
T355087-6000	6000mm (19'8")

End Caps

177413-24	Soffit or ceiling mount
------------------	-------------------------

More available (See pg C-16)

OPTIONS

In-line Soft Close Accessory*, hidden in track - Choose one per door

205080IP1-1NEO	Single-damping, 50 kg capacity. 640mm minimum door width
205080IP2-1NEO	Single-damping, 100 kg capacity. 640mm minimum door width
205080IP1-2NEO	Double-damping, 50 kg capacity. 810mm minimum door width
205080IP2-2NEO	Double-damping, 100 kg capacity. 810mm minimum door width

*Includes damping trigger



Single-damping unit



Double-damping unit

Specifying the NEO100 Glass system

Required for a complete system:

- 1. Running Track T355**
- 2. PRO100Glas Kit**

Contact FFI for drawings and BOM.

Softmaster (Push to open) - For ALU100 Series pocket doors

207081	Opening aid for pocketing doors
---------------	---------------------------------

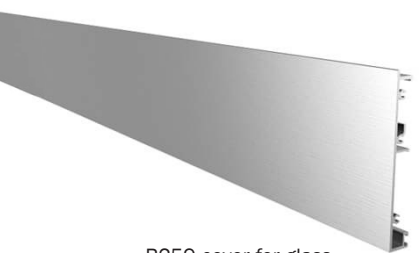




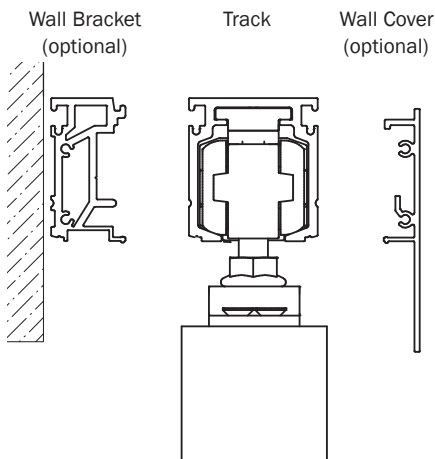
B256 cover for wood



B380 cover for MX wood



B259 cover for glass



OPTIONS NEO100 PRO WALL COVERS

Cover B256 - For Wood

B256087-2000	2000mm 67mm tall	Silver
B256087-3000	3000mm 67mm tall	Silver
B256087-6000	6000mm 67mm tall	Silver

Cover B380 - For MX (Low profile) Wood

B380087-2000	2000mm 36.5mm tall	Silver
B380087-3000	3000mm 36.5mm tall	Silver
B380087-6000	6000mm 36.5mm tall	Silver

Cover B259 - For Glass

B259087-2000	2000mm 82mm tall	Silver
B259087-3000	3000mm 82mm tall	Silver
B259087-6000	6000mm 82mm tall	Silver

7.5mm Deep Wall Brackets for 1³/₈-1¹/₂" doors

W254087-2000D	2000mm
W254087-3000D	3000mm
W254087-6000D	6000mm

17.5mm Deep Wall Brackets for 1³/₄-2¹/₄" doors

W255087-2000D	2000mm
W255087-3000D	3000mm
W255087-6000D	6000mm

All wall brackets are pre-drilled



W254 Wall Mount Profile



W255 Wall Mount Profile

NEO100 PRO END CAPS

Profile Combination	System Set	Article Number		
Soffit or Ceiling Mount	Track	Cover		
B380	T355	B380	Wood MX	177432-24
B256	T355	B256	Wood	177380-24
B259	T355	B259	Glass	177413-24
Wall Mount	Track	Cover		
W254	T355	B380	Wood MX	177422-24
W255	T355	B380	Wood MX	177424-24
W254	T355	B256	Wood	177363-24
W254	T355	B256	Wood	177364-24
W254	T355	B259	Glass	177369-24
W255	T355	B259	Glass	177370-24

Specifying End Caps

Use NEO100 end cap chart to ensure proper component match.

- 1. Mount** (if required)
- 2. Track**
- 3. Cover** (if required)
- 4. System** (Wood, Wood MX or Glass)





LS400.03.630 LS400.03.731 LS400.03.743

CASCADE STAINLESS STEEL SHALLOW FLUSH PULL

Solid 304 grade stainless steel face mount door pulls for pocket doors & room dividers. Matches Cascade lift slide handle plates. Multiple finishes available.

- PVD protected 304 grade Stainless Steel
- Works with Cascade series lift slide handles
- Material: 304 grade stainless steel, Finish: satin
- Escutcheon: 3mm (1/8") thick
- Shallow pull dimensions: 2" (50mm) W x 7" (178mm) H 5/8" (16mm) D
- Routing depth: 13mm
- 4 Philips head stainless steel screws included

Item #	Material	Finish
LS400.03.630	SST 304	Satin Stainless (PVD protected)
LS400.03.731	SST 304	Satin Brass (PVD protected)
LS400.03.743	SST 304	Espresso (PVD protected)



Oil-Rubbed Brass Flat Black Dark Bronze

FLUSH PULLS - SQUARED

Solid brass, 12mm routing depth

Rear-mount Pulls - Pair with Handle Only*

Part #	Type	Finish
LS600.10.613	Rear Mount	Oil-Rubbed Brass
LS600.10.622		Flat Black Powder-Coated
LS600.10.690		Dark Bronze Powder-Coated
LS600.10.723		Bright Brass PVD
LS600.10.748		Satin Nickel PVD

***For sliding screens, two face-mount pulls are required.**



Bright Brass PVD Satin Nickel PVD

Face-mount Pulls - Wood and metal screws included

Part #	Type	Finish
LS600.12.613	Face Mount	Oil-Rubbed Brass
LS600.12.622		Flat Black Powder-Coated
LS600.12.690		Dark Bronze Powder-Coated
LS600.12.723		Bright Brass PVD
LS600.12.748		Satin Nickel PVD



Oil-Rubbed Brass Flat Black Dark Bronze Bright Brass Satin Nickel



Oil-Rubbed
Brass

Flat Black

Dark
Bronze

FLUSH PULLS - ARCHED

Solid brass, 12mm routing depth

Rear-mount Pulls - Pair with Handle Only*

Part #	Type	Finish
LS610.10.613	Rear Mount	Oil-Rubbed Brass
LS610.10.622		Flat Black Powder-Coated
LS610.10.690		Dark Bronze Powder-Coated
LS610.10.723		Bright Brass PVD
LS610.10.748		Satin Nickel PVD

***For sliding screens, two face-mount pulls are required.**



Bright
Brass
PVD

Satin
Nickel
PVD

Face-mount Pulls - Wood and metal screws included

Part #	Type	Finish
LS610.12.613	Face Mount	Oil-Rubbed Brass
LS610.12.622		Flat Black Powder-Coated
LS610.12.690		Dark Bronze Powder-Coated
LS610.12.723		Bright Brass PVD
LS610.12.748		Satin Nickel PVD



Oil-Rubbed
Brass

Flat
Black

Dark
Bronze

Bright
Brass
PVD

Satin
Nickel
PVD

Oil-Rubbed Brass



Flat Black



Dark Bronze



Bright Brass



Satin Nickel



MOUNTING SCREWS FOR REAR-MOUNT FLUSH PULLS

M5 x 65mm replacement screws for panels up to 68mm thick

Part #	Type	Finish
LS600.11.613	M5 x 65mm	Oil-Rubbed Brass
LS600.11.622		Flat Black Powder-Coated
LS600.11.690		Dark Bronze Powder-Coated
LS600.11.723		Bright Brass
LS600.11.748		Satin Nickel

M5 x 80mm replacement screws for panels up to 82mm thick

Part #	Type	Finish
LS600.18.613	M5 x 80mm	Oil-Rubbed Brass
LS600.18.622		Flat Black Powder-Coated
LS600.18.690		Dark Bronze Powder-Coated
LS600.18.723		Bright Brass
LS600.18.748		Satin Nickel

M2.5 x 6mm Set Screw - Converts LS600 removable to fixed handle

Part #	Type	Description
LS600.17.630	Set Screw	Stainless Steel
7289A33	Set Screw Wrench	1.3mm Allen Wrench



LS100.24.631

FFI STAINLESS STEEL FLUSH EDGE PULLS

Stainless steel edge pulls for interior or exterior doors, sliding doors, pocket doors, room dividers or heavy screens.

- Stainless steel narrow profile construction
- LS100 series edge pull works with FFI SST lift slide locks
- Rotary pull is 2³/₈" (60mm) deep
- Rotary pull available in stainless steel finish
- Screws (M5 or #10 flathead) by others

FFI Edge Pulls

Edge pulls - Compatible with FFI SST lift slide locks

- | | |
|---------------------|-----------------------------------|
| LS100.24.630 | 304 stainless steel, satin finish |
| LS100.24.631 | 304 stainless steel, E-Coat Black |

FFI Rotary Edge Pulls

Rotary edge pulls

- | | |
|---------------------|-----------------------------------|
| SL200.RP.630 | 304 Stainless steel, satin finish |
|---------------------|-----------------------------------|



LS100.24.630



SL200.RP.630





B00705 nickel plated

SLIDING DOOR LOCKS BY AGB

Mortise locks with retractable hooks for interior sliding doors.

Applications include: pocket doors, room dividers, barn doors, and more.

- Material: All AGB locks are steel; some have brass faceplates
- Strike plates are included
- Faceplates (forends) are 22mm (7/8") wide
- Hook throw is 18mm (3/4"); hook has a 16mm hold on strike
- Screws: purchase separately four 4x25mm, for faceplate & strike

Hook locks for profile cylinder

Use with profile cylinders, see Catalog H

Part #	Backset	Material	Finish
B00705.40.06	40mm	Steel	Nickel plated
B00705.30.02	30mm	Steel	Italian Bronze

* Italian bronze is a lighter shade than US oil-rubbed bronze



B00706.40.06

B00706.60.06

Steel locks for passage latch (no key), 8mm square spindle hub.

Use with a turn latch with an 8mm square spindle (See catalog H)

or turn latch with 6mm square spindle: Verona thumb-turn (See below).

Part #	Description	Backset	Material	Finish
B00706.40.06	Passage lock	40mm	Steel	Bright Nickel
B00706.60.06	Passage lock	60mm	Steel	Bright Nickel



H107R6-CO

Thumb-turn knob for B00706: 6mm spindle, 47mm diameter; projects 34mm

H107R6-CO Verona brass latch, round-edge plate, matte chrome (CO)

H106V6-CO Verona brass latch, square-edge plate, matte chrome (CO)

8mm spindle hub adapter to use Verona with B00706 lock

13280100011 Spindle hub adapter, adapts 8mm hub for 6mm spindle



B00704.50.06

Steel hook locks with patent key included, square strike plate

Part #	Backset	Material	Finish
B00704.50.06	50mm	Steel	Nickel plated
B00708.50.10	50mm	Brass	Brass laquered



Opening a door with just a touch.

TOUCH® MAGNETIC CATCH FOR POCKET DOORS

Patented contactless adjustable magnetic door catch. Minimal design with no visible screws.

- For wood, PVC, composite material or aluminum/wood doors
- Catching force is adjustable to meet almost all applications
- Minimal design with no visible screws
- Adjustable magnets retract when door is opened

Lock material Steel
Lock dimensions 18mm (¾") W x 196mm (7¾") H

Adjustable open/closing force with included allen wrench.

Touch Catch

Part #	Finish
B01120.30.78	Grey
B01120.30.93	Black
B01120.30.FM	Matte White

Forend Cover for Touch

Part #	Finish
B01120.31.34	Matte Chromium Plated
B01120.31.93	Black
B01120.31.FM	Matte White

Strike for Touch - For Wood Frame

Part #	Finish
B02404.31.78	Grey
B02404.31.93	Black
B02404.31.FM	White

Strike for Touch - For Aluminum Frame

Part #	Finish
B02404.30.78	Grey
B02404.30.93	Black
B02404.30.FM	White

2-Strike Touch Kit (non-Adjustable)

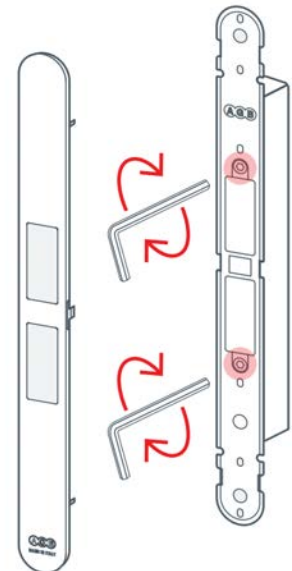
For Wood Frame

Part #	Finish
B02404.36.FM	White

2-Strike Touch Kit (non-Adjustable)

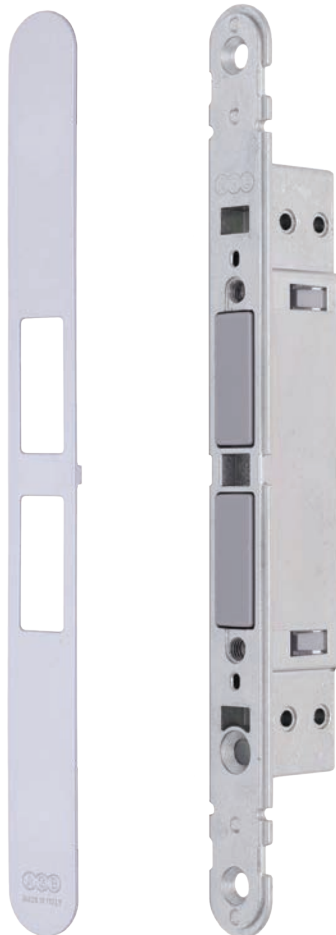
For Aluminum or Wood Frame

Part #	Finish
B02404.35.FM	White



Forend Cover

Touch Catch



B01120.31.34
Forend Cover
Matte Chromium

B01120.30.78
Touch Catch - Grey



B02404.30.78
Strike for
Aluminum
frame - Grey

B02404.31.78
Strike for
Wood frame -
Grey