

# greenteQ Clearslide Sliding Door Lock & Handles

FFI is the exclusive North American distributor for greenteQ hardware by VBH (GB) Ltd.

FUNCTIONAL  
FENESTRATION INC.

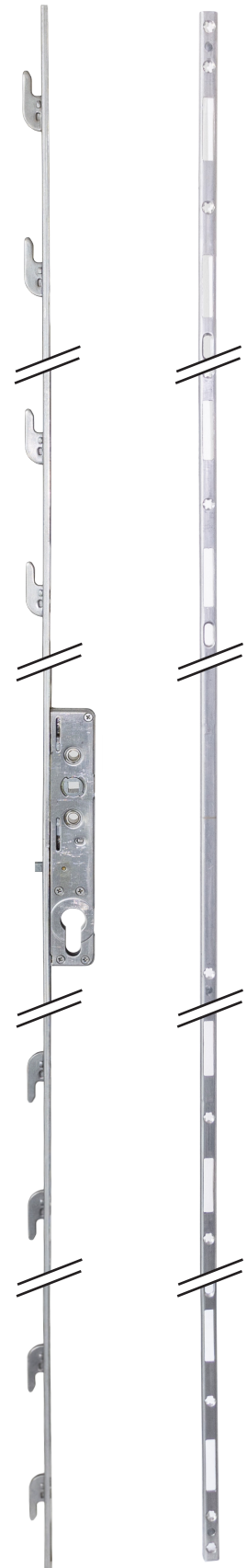


**Clearslide is ideal for Sliding, inline patio doors.  
Locking is achieved through 4 pairs of bi-directional hooks;  
the top hooks slide up and the lower hooks downward**

- Compatible with: Wood and PVCu inline sashes (strikes available; ask for profile-related advice)
- Materials: 430 stainless steel lock face & strikes
- Warranty: 10 years
- Compatible strikes for: Wood panels, and PVC Rehau, Deceuninck, Kommerling, and Veka profiles
- Compatible with europrofile cylinders
- Compatible handles: Alpha Patio P-handles, Coastline stainless steel handles (or most any D-shaped patio handle with 7mm spindle)

## Lock Characteristics

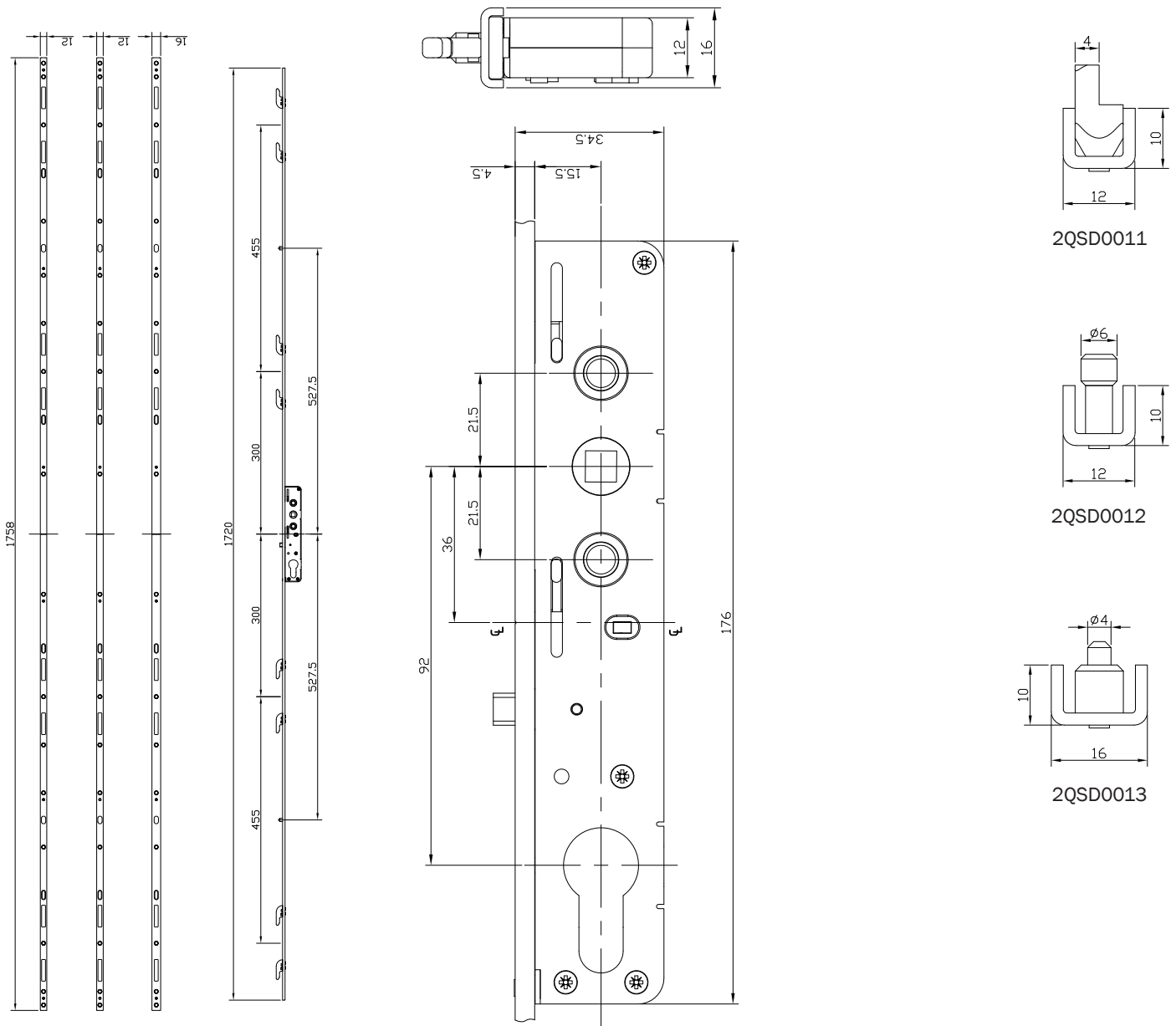
- 8 hook locking points (4 hook version also available)
- 2 anti-lift pins for extra security
- Lock face 1720mm x 16mm; square ends, u-channel shape
- Center 92mm
- Backset 20mm
- Mis-operation device included, to prevent damage if door is open with hooks activated.
- Corrosion testing: Standard 1670 Class 5 tested (480 hours)
- Tested at BSI to PAS24:2016, and are included in VBH's BSI Hardware Kitemark KM727991; a true mark of quality.



# Overview of Clearslide Components

## Clearslide Door Lock & Strikes

Item	Description
<b>2QSD0001C</b>	Clearslide 8-Point Patio Lock
<b>2QSD0012C</b>	Strike for wood sash or Deceunck Striker 24/Rehau Agia profile, face 1758mm x 12mm
<b>2QSD0013C</b>	Strike for wood sash or Kommerling PremiLine profile, face 1758mm x 12mm
<b>2QSD0015</b>	Strike for PVCu/Linear
<b>2QSD0016</b>	Strike for PVCu/Eurocell



For details contact FFI, and see FFI catalog at [www.Fenestration.net](http://www.Fenestration.net)



**Functional Fenestration Inc.**  
 Hawthorne, CA • Phone (800) 677-0228  
[www.fenestration.net](http://www.fenestration.net) • [sales@fenestration.net](mailto:sales@fenestration.net)