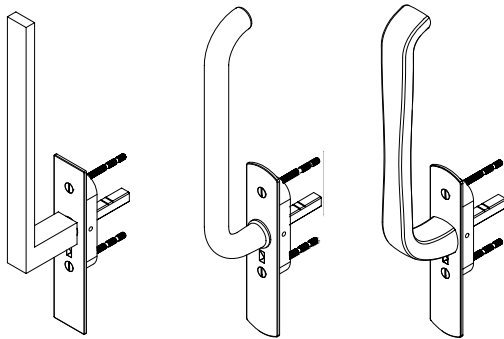


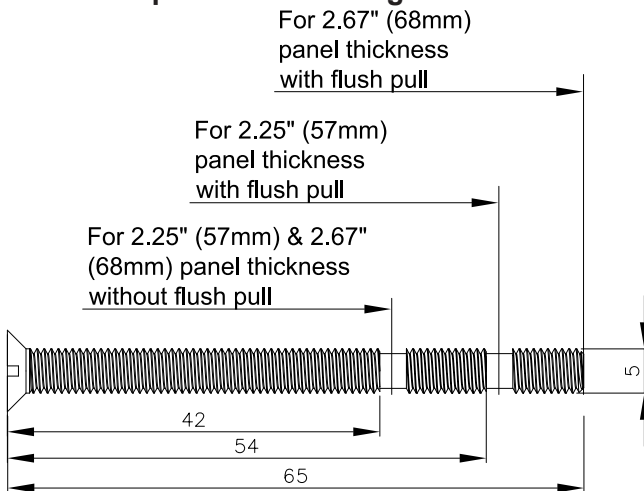
**Installation Instructions based on centered drive gear orientation.**

1. Route panel stile according to routing detail (Pages 2-3).
2. Ensure lift slide drive gear is installed in the panel in the closed (lowered) position.
3. Determine spindle length requirements (Fig. 1).
4. Cut spindle to length making sure spindle engages drive gear hub completely. Remove any sharp edges.
5. Determine fixing screw length requirements and cut if required (Fig. 2).
6. Mount handle plate assembly on panel stile making sure handle/hub is in correct orientation (Fig. 3).
7. Test the handle operation.  
!! Removable handles- handle shaft must be inserted completely into plate hub before operation.



LS600 SERIES HANDLES

**Cut off marks on fixing screws for center positioned drive gear.**



\* For other door panel thicknesses and lock positions determine length and cut according.  
If longer screws are required contact FFI.

Fig. 2

**Scored cut marks on spindle for center positioned drive gear.**

\* For other door panel thicknesses and lock positions determine length and cut according (page 3).

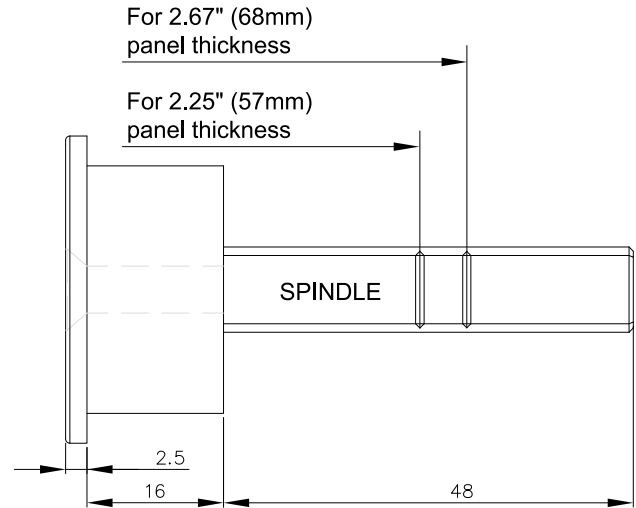


Fig. 1

**Handle and plate hub orientation.**

To insure correct orientation of a removable handle when inserted the plate hub and handle shaft are "keyed". Make sure hub is in orientation shown when panel is in closed (lowered) position. When panel is in closed (lowered) position handle is in 12 o'clock position as shown.

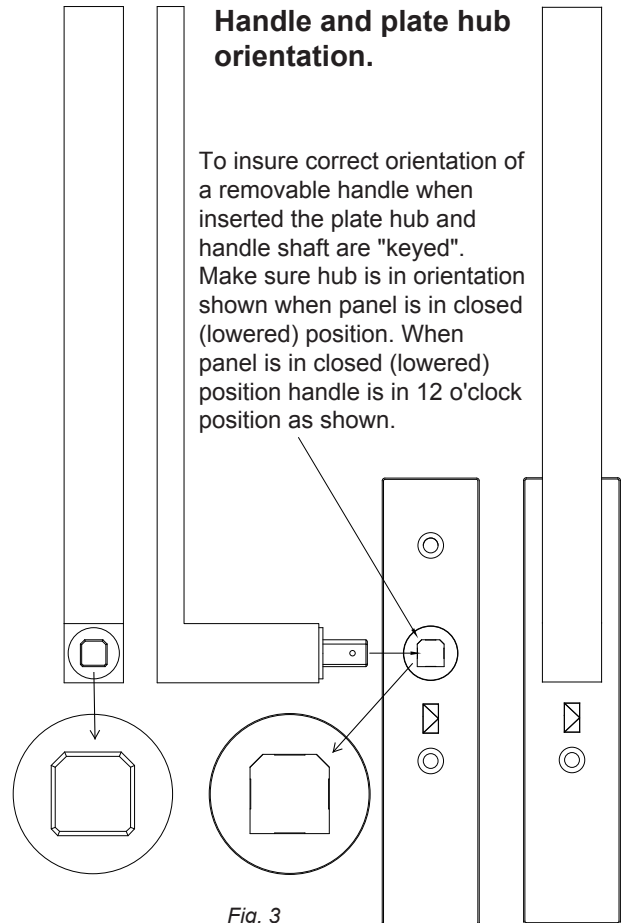
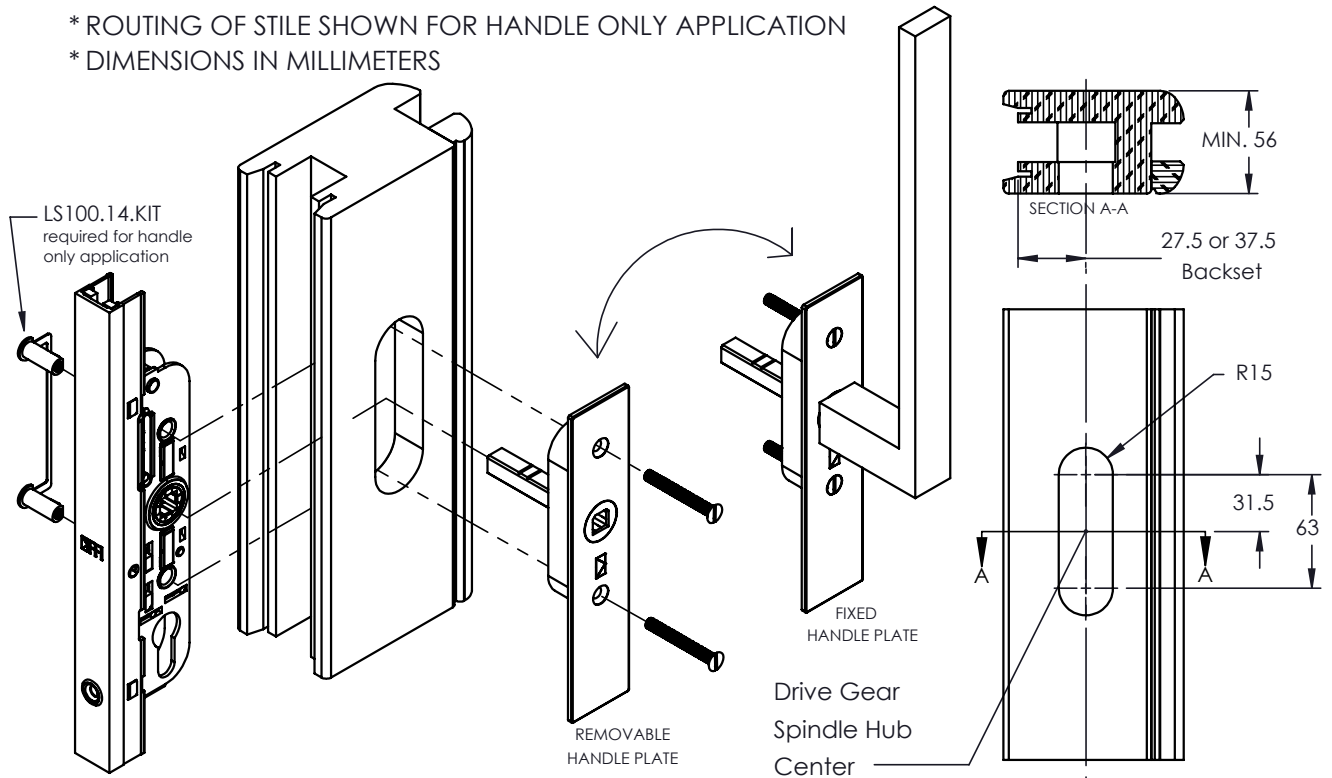
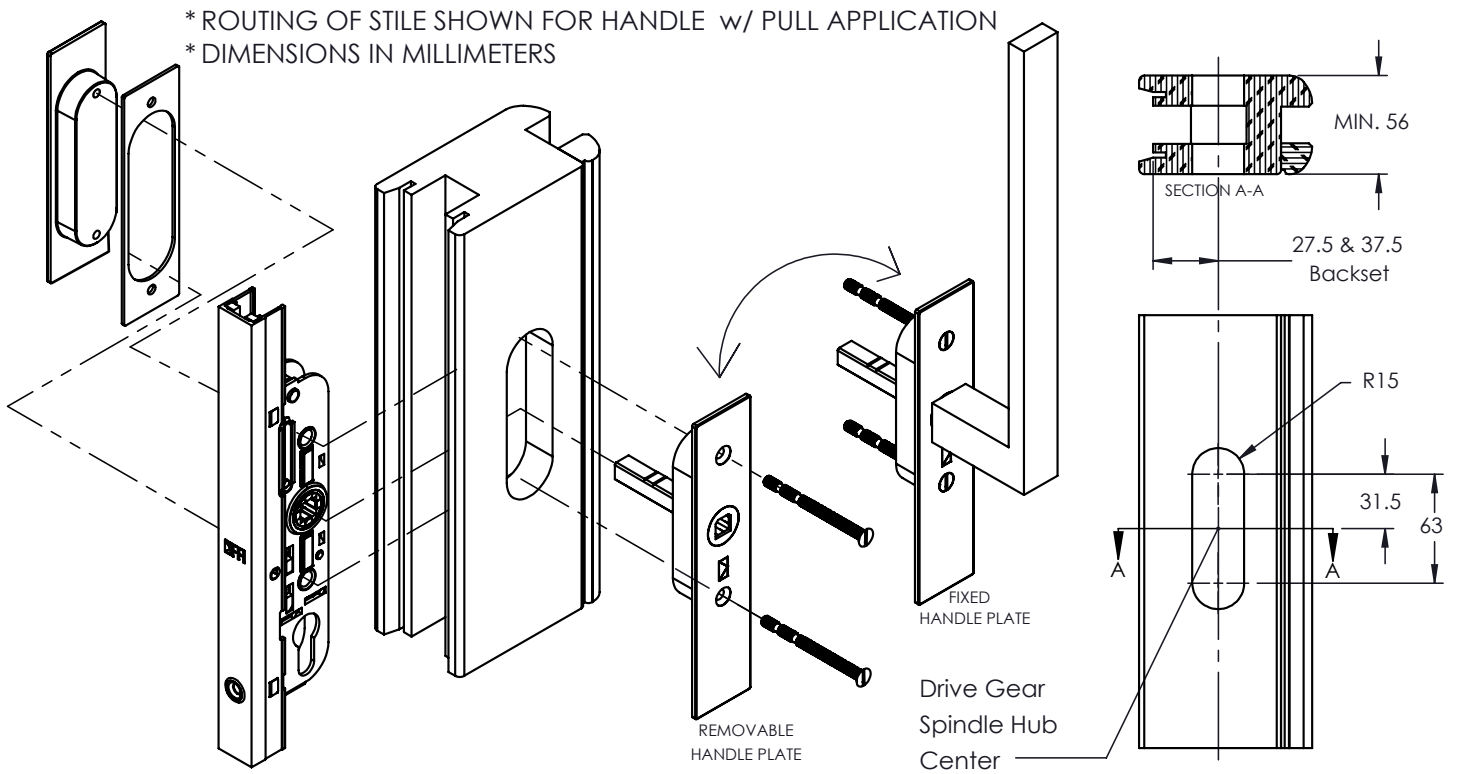
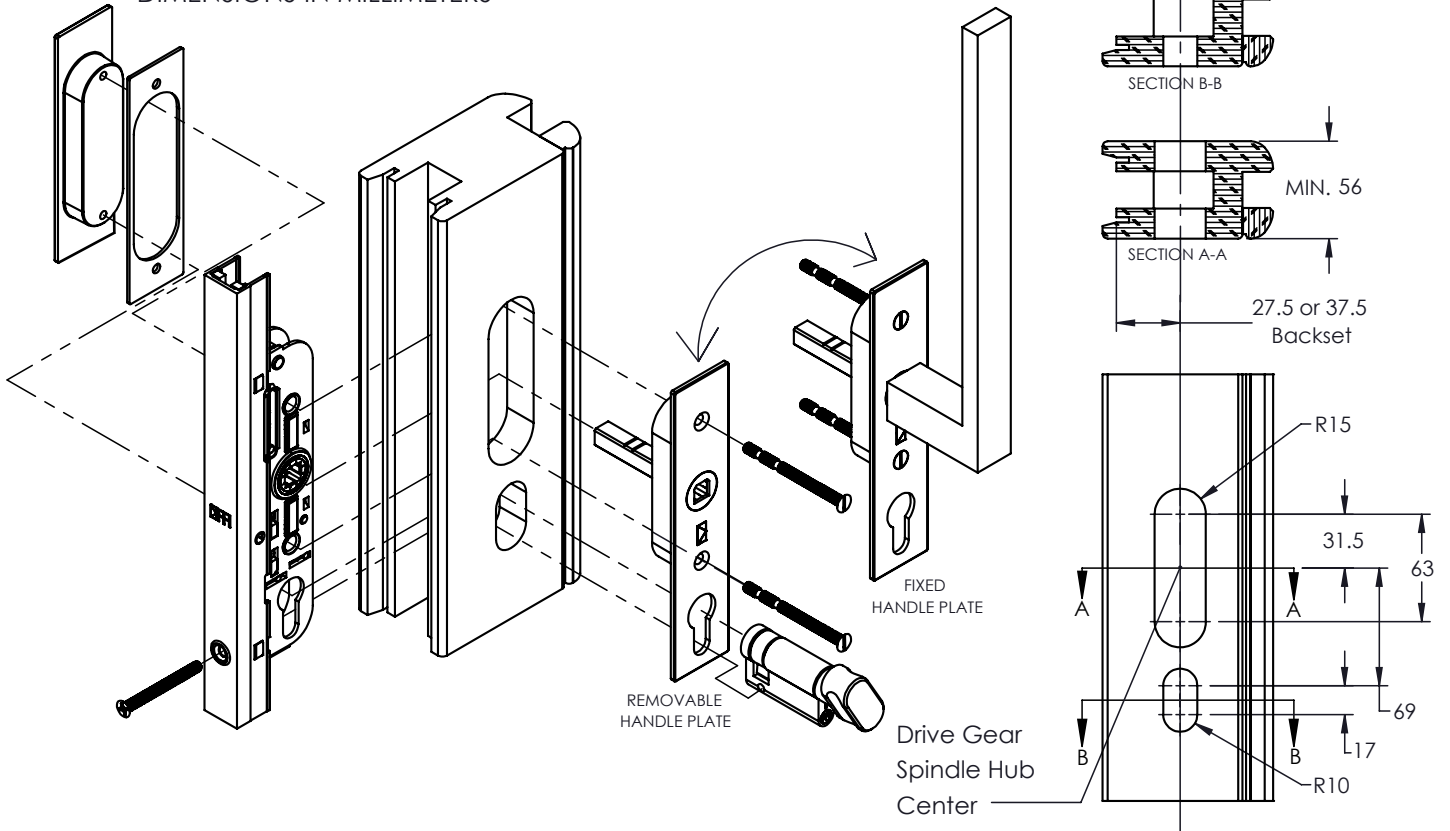


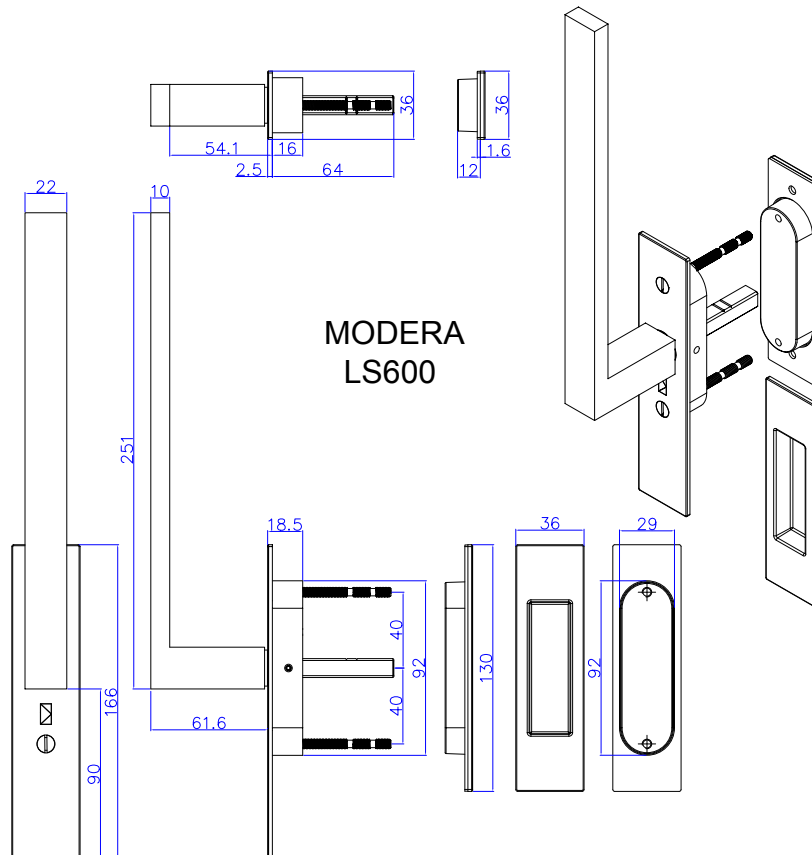
Fig. 3



\* ROUTING OF STILE SHOWN FOR HANDLE w/ PULL & HALF CYL. APPLICATION  
 \* DIMENSIONS IN MILLIMETERS



**DRAWINGS**  
 Dimensions in mm



**DRAWINGS**  
Dimensions in mm

