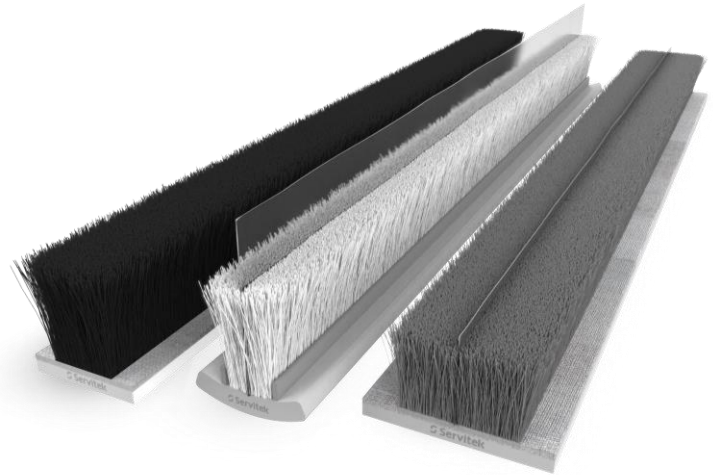


PolarTek[®] weather stripping technology

With over **30 years of experience** in the window and door industry, Servitek has developed the PolarTek[®] range of weatherstripping products, which are available in a variety of materials and shapes. These brush-type weatherstripping systems first appeared in the 1960s. They are mainly used on exterior doors and windows to prevent air, water and dust infiltration, thus reducing heat loss

Servitek's engineering team's experience has allowed them to improve products over the years, carefully selecting materials and manufacturing processes to offer the market products with **unique performance** and **exceptional durability**.



We like to say that a door or a window is only as strong as its weatherstripping. That's why we're proud to support our industry with **high-quality products**.



All the weatherstripping products we develop specifically for our customers can pass AAMA 702-23 Class A certification if the application requires it and the volume justifies it.

Benefits and features

Adaptable to a wide range of customer needs, thanks to the wide variety of models and options that can be added.

Aesthetically pleasing thanks to a simple, unobtrusive design, as well as the different bristle and base colors available, enabling the weatherstripping to blend into the background.

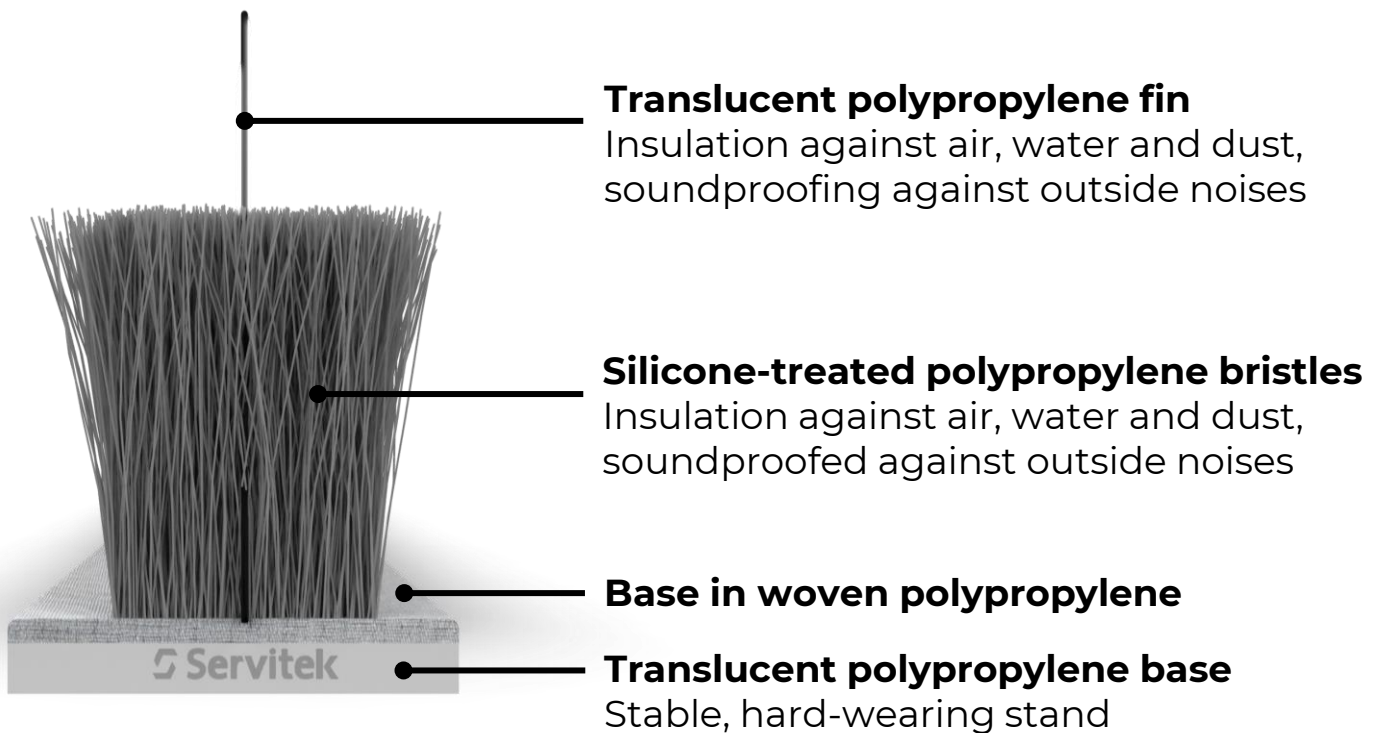
High-performance: PolarTeK weatherstripping stands out for its excellent airtightness, thanks to its polypropylene bristles and membrane, which form an effective barrier against water, air and dust.

Quiet: excellent acoustic insulation thanks to their high bristle density and membrane.

Resistant: Not affected by rot, fungus or UV rays.

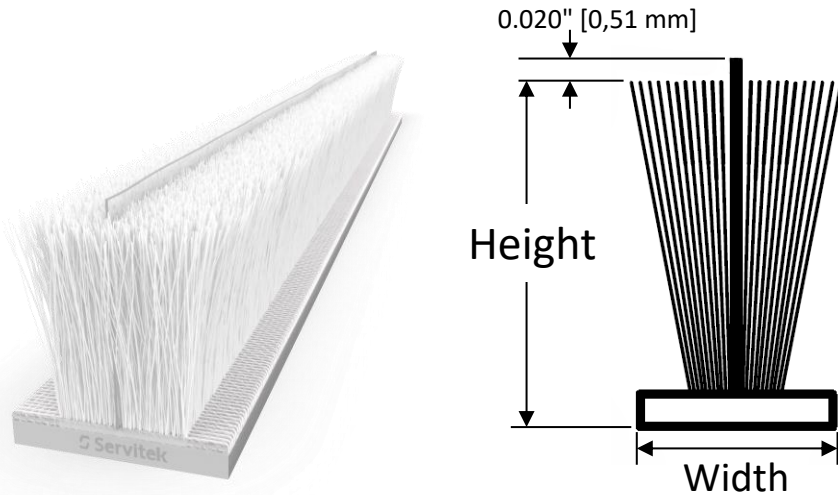
Versatile: works in extreme cold and hot weather conditions, and comes in a large variety of bases dimensions and model, to suit wood, PVC and aluminum windows and doors.

Durable: after Servitek's 10-year limited warranty on the PolarTek range for residential use, its life expectancy is estimated at 25 years, and it is easy to replace.



Range of brush type weather-stripping with fin seal and woven t-slot base

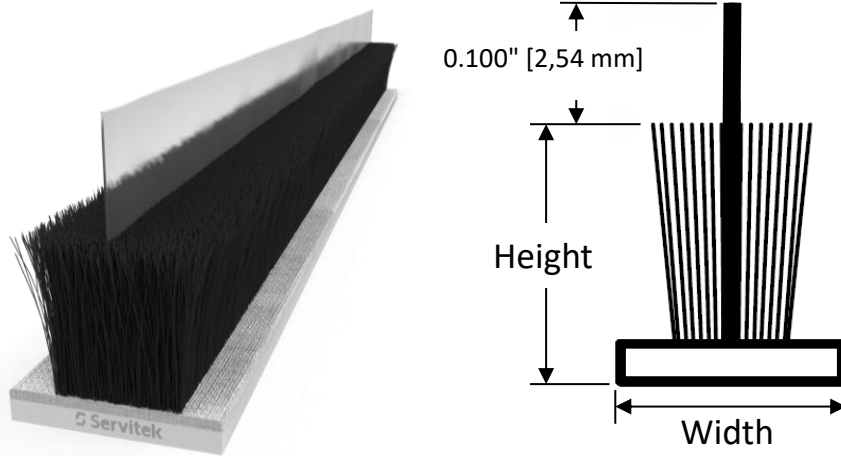
PolarTek[®] Fin Seal



Width (in/mm)	Height (in/mm)	Color	Part #	Length (ft)	
.187 [4,7]	.120 [3,0]	Grey	386979	2 x 4000	
	.180 [4,6]	Grey	507223	2 x 3500	
	.200 [5,1]	White	194017	2 x 3000	
	.220 [5,6]	Black	936258		
		Grey	129612		
		White	351774		
	.250 [6,4]	Black	314125		
		Grey	675861		
		White	184372		
	.280 [7,1]	Black	832845	2 x 2500	
		White	752302		
		.300 [7,6]	Black		743700
			White		756451
		.320 [8,1]	Black		984946
White			607409		
.350 [8,9]	Grey	301653	2 x 2000		
.400 [10,2]	White	654397	2 x 1750		
.420 [10,7]	Black	142880	2 x 1500		
.270 [6,9]	.150 [3,8]	Grey	737670	2 x 3000	
	.170 [4,3]	Grey	133252		
	.250 [6,4]	Grey	406305	2 x 2000	
		.300 [7,6]	Black	632314	2 x 1500
			Grey	943821	
.350 [8,9]	Grey	197041			

Range of brush type weather-stripping with high-fin and woven t-slot base

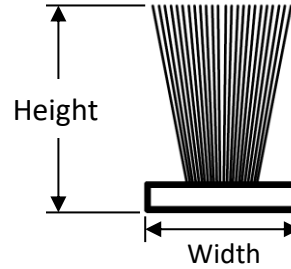
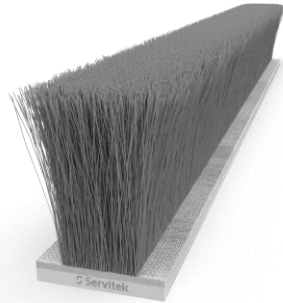
PolarTek[®] High-Fin



Width (in/mm)	Height (in/mm)	Color	Part #	Length (ft)
.187 [4,7]	.100 [2,5]	Grey	237255	2 x 3000
		White	675910	
	.130 [3,3]	Grey	723922	
	.170 [4,3]	Black	333123	2 x 2500
		White	478171	
	.200 [5,1]	Black	631038	
		White	774277	
	.220 [5,6]	Black	522599	
		White	771221	
		.250 [6,4]	Black	
White	131017			
.300 [7,6]	Grey	178642	2 x 2000	
.270 [6,9]	.110 [2,8]	Grey	359545	2 x 2500
	.130 [3,3]	Grey	883200	2 x 2000
	.160 [4,1]	Grey	264840	
	.200 [5,1]	White	345150	
	.220 [5,6]	White	406801	
	.240 [6,1]	Grey	280684	
	.270 [6,9]	Grey	114022	2 x 1500
.300 [7,6]	.210 [5,3]	Grey	422304	

Range of brush type weather-stripping with woven t-slot base

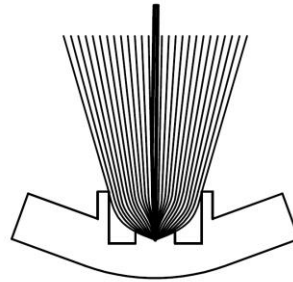
PolarTek® Polybond



Width (in/mm)	Height (in/mm)	Color	Part #	Length (ft)	
.187 [4,7]	.100 [2,5]	Grey	846599	2 x 4000	
	.110 [2,8]	Grey	600738		
	.130 [3,3]	Grey	527763		
	.150 [3,8]	Black	681988		
		Grey	673702		
	.180 [4,6]	Grey	584102	2 x 3500	
	.200 [5,1]	Black	833285		
		Grey	817146		
	.250 [6,4]	Black	159465	2 x 3000	
		Grey	411067		
	.310 [7,9]	Black	360998	2 x 2500	
		Grey	577496		
		White	435699		
		.350 [8,9]	Black		802412
			Grey		665732
	White		575253		
	.400 [10,2]	Black	602089	2 x 1500	
White		734930			
.450 [11,4]	Black	240097	2 x 1500		
.625 [15,7]	Black	601192	2 x 1000		
.670 [17,0]	Black	292161	2 x 1000		
.270 [6,9]	.130 [3,3]	Grey	620081	2 x 3500	
	.160 [4,1]	Grey	946307	2 x 2500	
	.180 [4,6]	Grey	234065		
	.200 [5,1]	Grey	895547		
	.250 [6,4]	Grey	914445		
	.300 [7,6]	White	995564		
	.350 [8,9]	Grey	853716	2 x 1500	
	.450 [11,4]	Grey	395184		

Range of brush type weather-stripping with fin seal and extruded t-slot base

PolarTek[®] Fin Seal Base U



Width (in/mm)	Height (in/mm)	Color	Part #	Length (ft)
.187 [4,7]	.200 [5,1]	Grey	417309	2 x 3500

Range of brush type weather-stripping with high-fin and extruded t-slot base

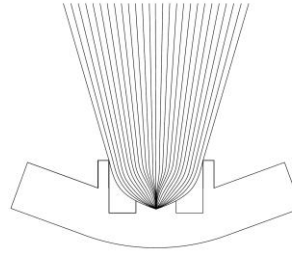
PolarTek[®] High-Fin Base U



Width (in/mm)	Height (in/mm)	Color	Part #	Length (ft)
.187 [4,7]	.200 [5,1]	Black	782720	2 x 2500
		White	959652	
.270 [6,9]	.220 [5,6]	Grey	230922	2 x 1500

Range of brush type weather-stripping with extruded t-slot base

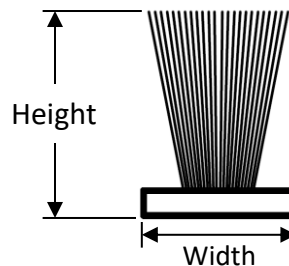
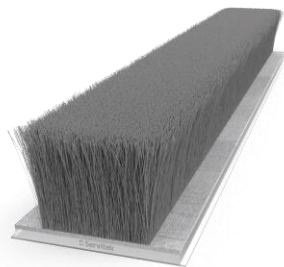
PolarTek® Polybond Base U



Width (in/mm)	Height (in/mm)	Color	Part #	Length (ft)
.187 [4,7]	.300 [7,6]	White	764670	2 x 2500
		Black	841200	
	.320 [8,1]	White	428512	
	.330 [8,4]	Black	736767	
	.350 [8,9]	Black	400080	2 x 1500
	.400 [10,2]	Black	669540	
	.510 [13,0]	Grey	662112	

Range of brush type weather-stripping with woven t-slot base and adhesive back

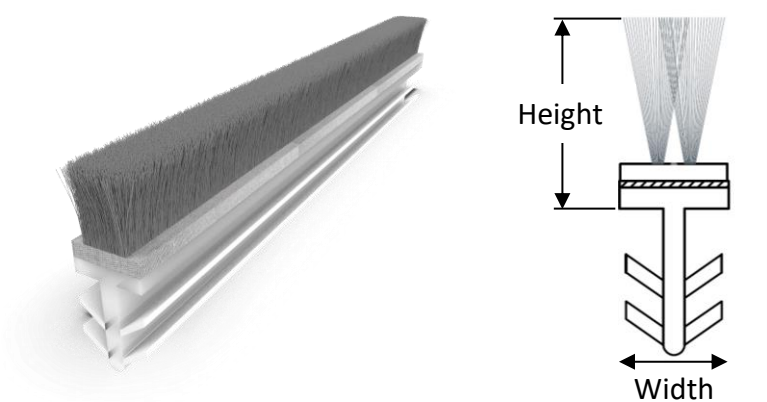
PolarTek® Polybond AB



Width (in/mm)	Height (in/mm)	Color	Part #	Length (ft)
.187 [4,7]	.300 [7,6]	White	435810	2 x 2500
.270 [6,9]	.460 [11,7]	Grey	343861	1000
.360 [9,1]	.250 [6,4]	Grey	737736	2 x 1500
	.450 [11,4]	Grey	300325	2 x 1000

Range of brush type weather-stripping with woven k-base

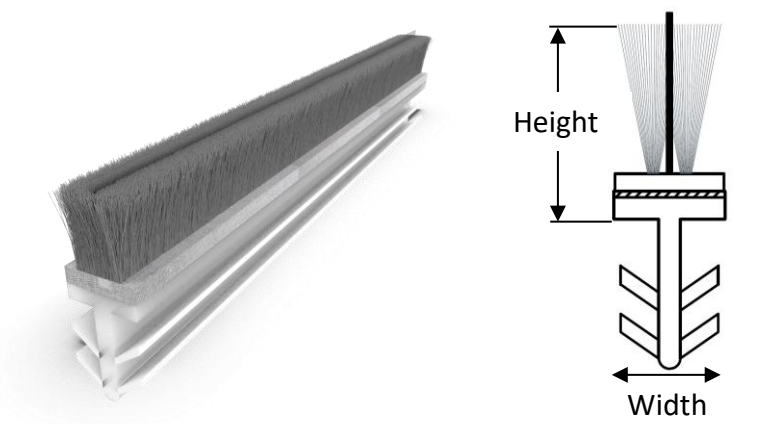
PolarTek® Timber Seal



Width (in/mm)	Height (in/mm)	Color	Part #	Length (ft)
0.187 [4,7]	.255 [6,5]	Grey	541789	1 x 1800
		Grey	318289	2 x 1800

Range of brush type weather-stripping with fin seal and woven k-base

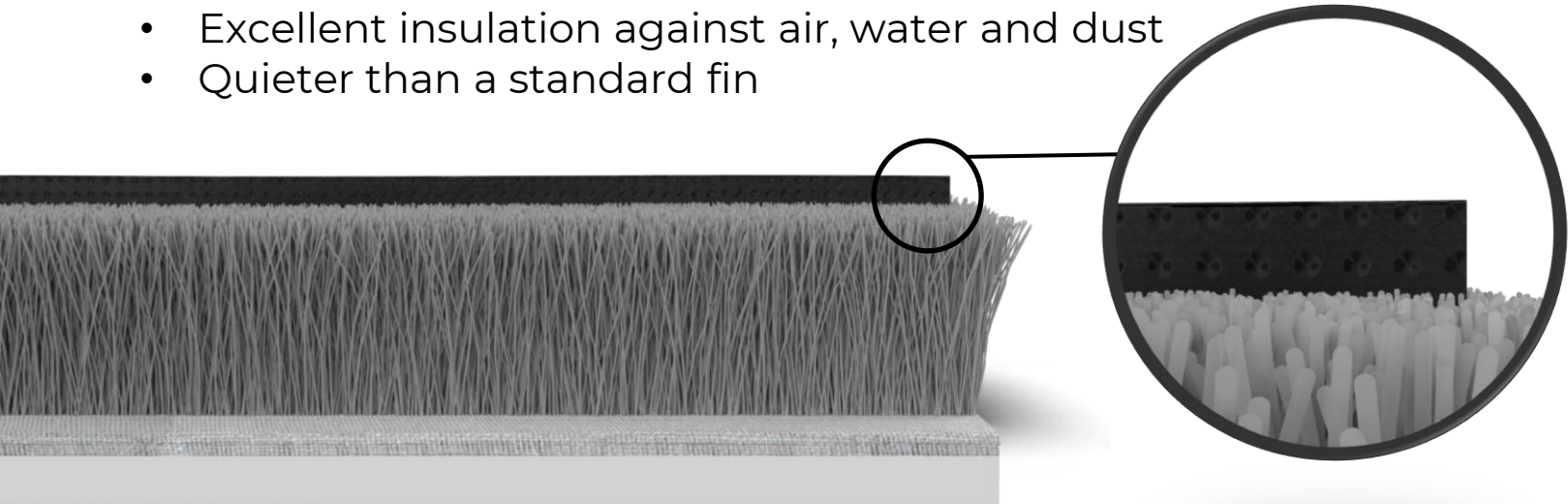
PolarTek® Timber Fin Seal



Width (in/mm)	Height (in/mm)	Color	Part #	Length (ft)
0.187 [4,7]	.355 [9,0]	Grey	842905	1 x 1750
		Grey	609517	2 x 3500
	.433 [11,0]	Grey	537940	1 x 1750
		Grey	615657	2 x 1750

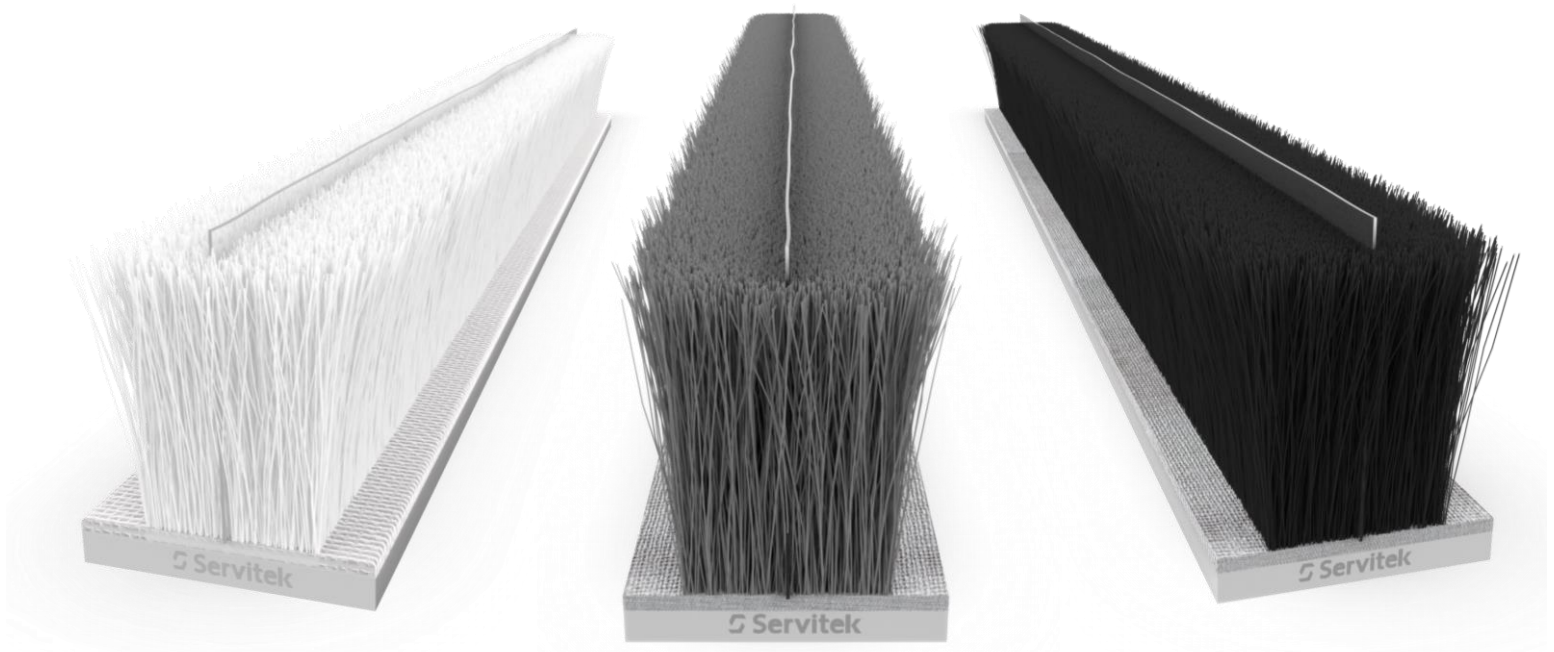
Option : woven polypropylene fin

- Excellent insulation against air, water and dust
- Quieter than a standard fin



Option : Choice of the colors

- 3 bristle colors
- 2 woven base colors

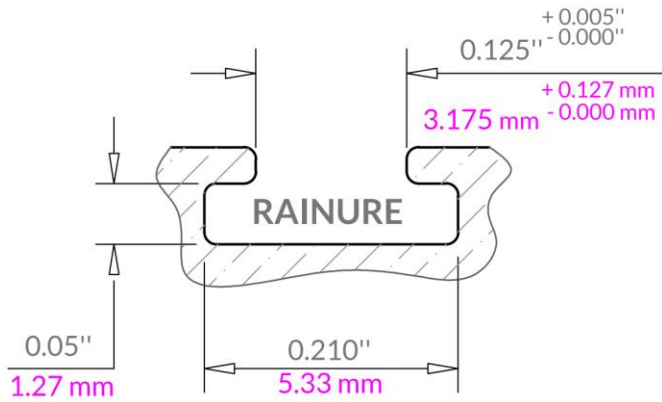


We can develop any fin, color and base type.

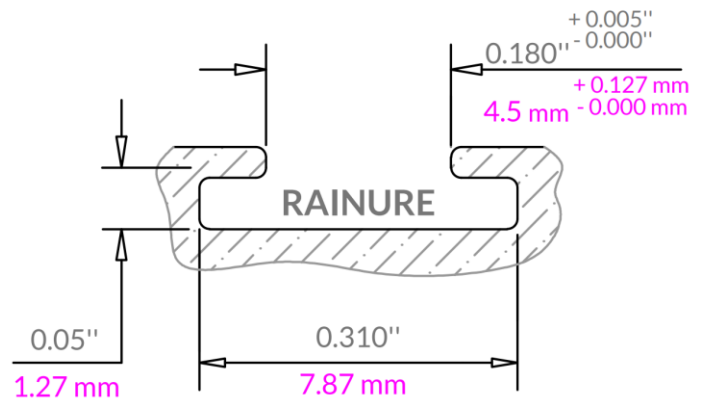
Don't hesitate to contact us, and we'll be happy to work with you to determine the right product for your application and budget.

Groove dimensions for width selection

Width of 0.187"



Width of .270"



Choosing the right brush weatherstrip

Base type	Type of fin	Width (in)	Height (in)	Bristle color	Fin material (optional)	Bristle density
Woven T-slot <input type="checkbox"/>	Fin Seal <input type="checkbox"/>	.187"	See available models <input type="checkbox"/>	White <input type="checkbox"/>	Transparent polypropylène (standard) <input type="checkbox"/>	Standard <input type="checkbox"/>
Extruded U T-slot <input type="checkbox"/>	High-Fin <input type="checkbox"/>			Grey <input type="checkbox"/>		High <input type="checkbox"/>
Woven Timber base <input type="checkbox"/>	Polybond (none) <input type="checkbox"/>	.270"		Black <input type="checkbox"/>	Woven polypropylene (quiet) <input type="checkbox"/>	Very High <input type="checkbox"/>
Woven T-slot AB <input type="checkbox"/>						