

Vistafold Elite

Timber Bifold Hardware

Specifications;

Max door weight:	90 kg
Max door width:	900 mm
Max door height:	2700 mm
Door thickness:	44-70 mm
Warranty:	5 years

Features;

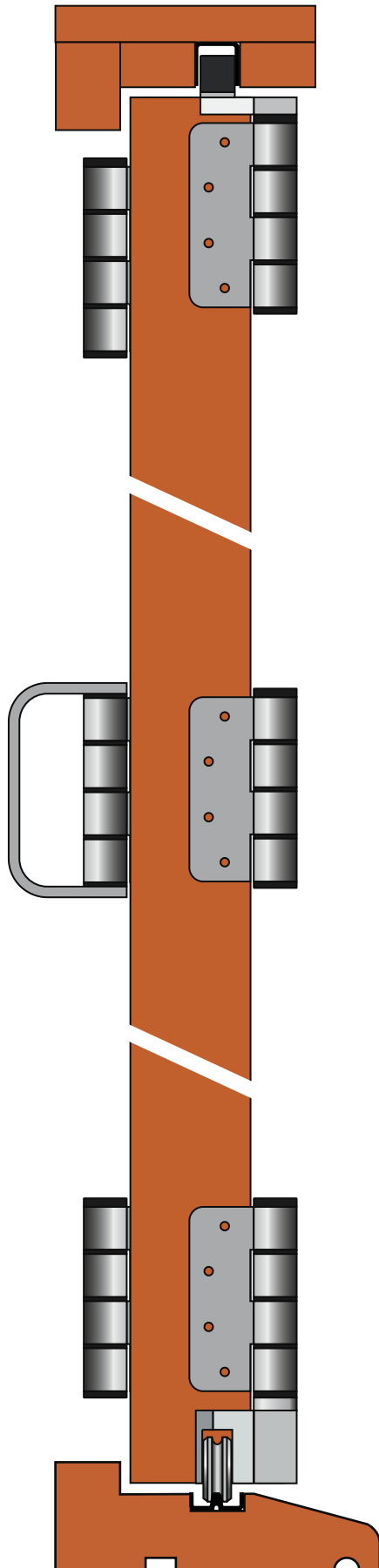
- Inline top hung or bottom rolling system
- IQ Multipoint lock that is upgradable for smart connectivity
- Upgraded magnetic catch
- Marine grade finishes
- 4 Colour options as standard
- RAL colours available upon request
- Cost effective



Bottom Rolling & Top Hung Details

Vistafold Elite can now be used for both top hung and bottom rolling applications, both of which have inline tracks and will fit into a standard door frame design 4" (100mm) wide. Once you have chosen either top hangers or bottom rollers with their associated track or channel, the rest of the hardware is fully interchangeable with either option.

Bottom Rolling Layout



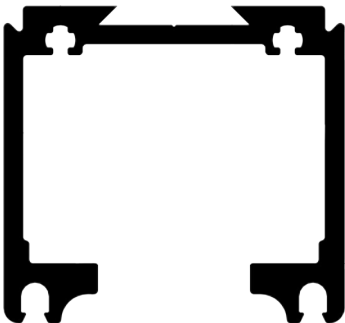
System Specifications

Max Leaf Width: **90kg**

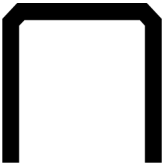
Max Leaf Height: **2700mm**

Leaf Thickness: **44-70mm**


Track Profiles




200A Top Track 45mm x 42mm



19LP Guide Channel 21mm x 21mm

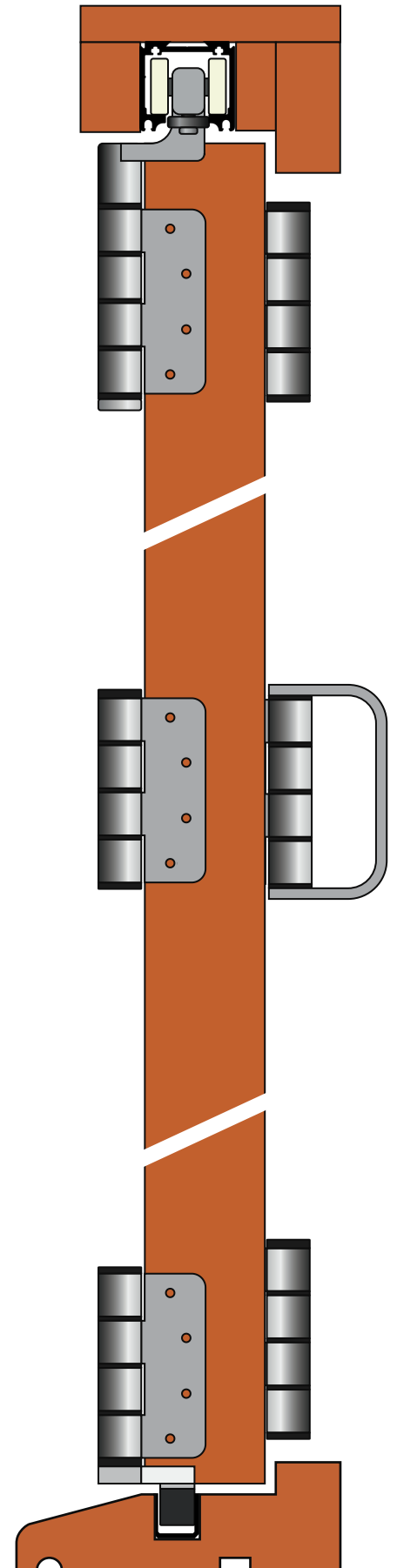


814 Surface Fix Track 21mm x 8mm



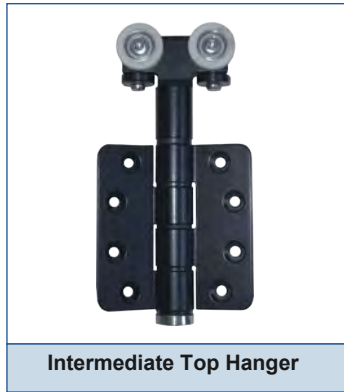
815 Recess Fix Track 24mm x 8mm

Top Hung Layout

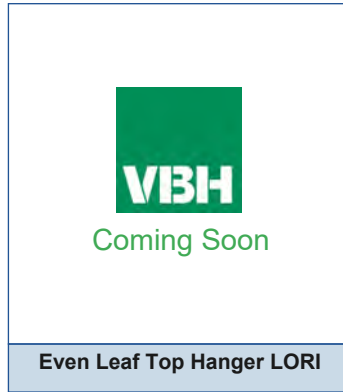


Main Components

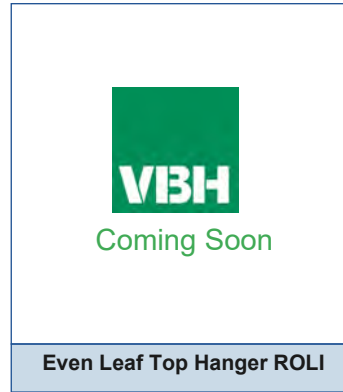
All main Vistafold Elite components are made from high grade aluminium and powdercoated to an external grade finish ideal for coastal areas. They also have nylon bearings rather than steel to maximise durability in harsh conditions.



Intermediate Top Hanger



Even Leaf Top Hanger LORI



Even Leaf Top Hanger ROLI



200A Top Track



Intermediate Bottom Roller



Even Leaf Bottom Roller LORI



Even Leaf Bottom Roller ROLI



814 & 815 Bottom Tracks



Intermediate Guide



Even Leaf Guide LORI



Even Leaf Guide ROLI



19LP Guide Channel



Butt Hinge



Butt Hinge Handle



Flush Bolt

Alternative Vistalock option now available



Magnetic Catch

Black only

Colour Options

Colour matched hardware is available upon request



Vistalock Break Point Lock

Vistalock is our new alternative to flush bolts on 56mm doors and allows the break out point of a bifold door to be securely locked with a simple 180 degree turn of a handle. We have developed Vistalock to be simple to install and suitable for both top hung and bottom rolling applications. It will also work with both inward and outward folding designs.



Kubu Ready IQ Smart Multipoint Lock



Kubu module sold directly by Kubu



The IQ locking system is a top quality residential door lock perfectly suited to the Vistafold Elite. With its robust 20mm radiused faceplate, 45mm backset and top and bottom hook bolts, it's no wonder it has achieved PAS 24 accreditation and comes complete with adjustable keeps and both left and right hand strikes. The lock also comes ready to upgrade with the Kubu module allowing the door to be monitored via iPhone or Android apps, Amazon Alexa or Google Nest to give you that extra peace of mind.

Suited Handles & Catches

Compliment your Installation with our new range of satin black hardware that aesthetically works with all Vistafold Elite finishes. This includes lever handles for the swing leaf, an elegant handle for use with the Vistalock kit and a powerful magnetic holdback catch for holding the swing leaf firmly whilst opening and closing the system. With a high quality finish, this hardware will stay looking like new and be easy to maintain. Alternatively you can utilise your own range of door hardware to match an existing design or look that is used throughout the rest of the property.



Discover more about our fantastic range of products by contacting VBH on:

Tel: 01634 263263 Email: sales@vbhgb.com

VBH (GB) Ltd

VBH House, Bailey Drive, Gillingham Business Park, Gillingham, Kent. ME8 0WG